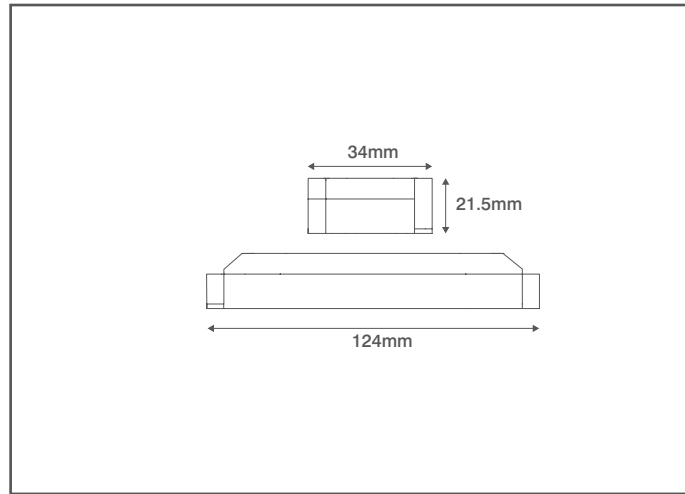


ACCESSORIES

Technical Specification

Product Code: OVTR301

Description: 12V 0.5-15W DC LED Driver



General Information

Dimensions	124mm (L) x 34mm (W) x 21.5mm (D)
Materials	Body: Polycarbonate
Finish	Blue
Product Weight	0.058Kg
Dimmable	No
Ingress Protection	IP20
Compatible Fittings	OV203 & OV204 Ranges or Suitable 12V DC LED Luminaires
Warranty	1 Year

Supply & Power

Input Voltage & Frequency	220-240V ~ 50/60Hz
Electrical Safety	Class II (Double Insulated)
Input Power	0.5-15W Max.
Cable Size Max.	0.75mm ²
Output Voltage	12V DC
Ambient Temperature (Ta)	+45°C
Critical Temperature	+85°C
Current Rating	1.25A Max.
Termination	Terminal Block (Screw Terminals)