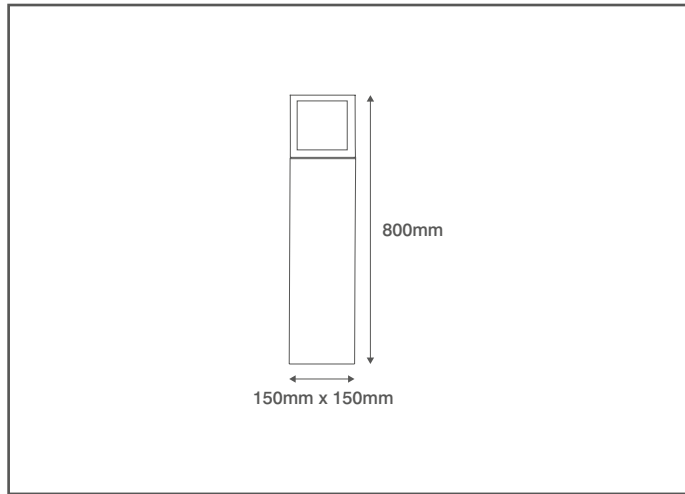


Product Code: OVOL640BK

Description: 11W Max. E27 Trinity Opal Framed Bollard - IP54 - Black



General Information

Dimensions	150mm (W) x 150mm (D) x 800mm (H)
Fixing Dimensions	4 x 12mmØ at 98mm x 98mm Hole Centres
Materials	Body: Powdercoated Aluminium Diffuser: Polycarbonate
Finish	Black
Product Weight	3.9Kg
Ingress Protection	IP54
Warranty	1 Year

Supply & Power

Input Voltage & Frequency	230V~
Electrical Safety	Class I
Input Power	Lamp Dependant
Termination	3 Core Flylead - 1 Metre

Luminaire Information

Lamp Type	E27 / ES
Lamp Wattage	11W Max.
Suitable Lamp Types	LED & Compact Fluorescent
Output Information	See information supplied with lamp being installed