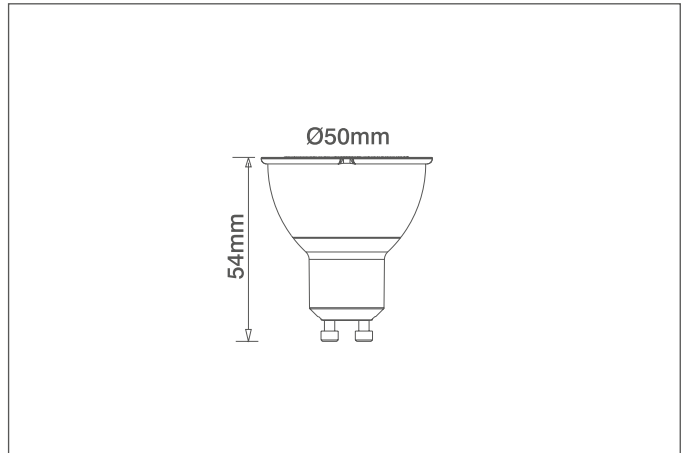


LED LAMPS

Technical Specification

Product Code: OVLA1009W4

Description: 4.9W GU10 Glass LED Lamp WW



General Information

Dimensions (mm)	50 (Dia.) x 53.5 (D)
Materials	Body: Glass
Product Weight (Kg)	0.04
Warranty (Years)	2

Supply & Power Information

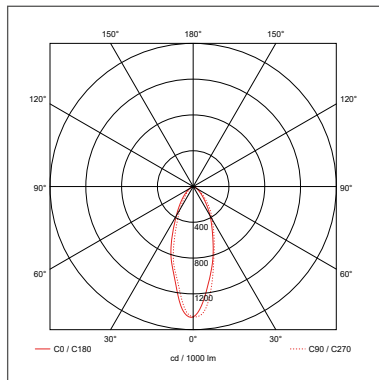
Input Voltage & Frequency (V~ / Hz)	220-240 50
Safety Class	II
Circuit Wattage (W)	4.9
Input Current (mA)	40
Power Factor	>0.4
Operating Temperature (°C)	-25 to +40

Luminaire Output

Colour Temperature (K)	2700
Colour Render Index (CRI)	>80
Typical Luminous Flux (lm)	465
Efficacy (lm/W)	95
Beam Angle (°)	38
Energy Classification	G
LED Lifetime (L70) (Hours)	25000

Dimming Information

Dimmable	No
----------	----



OVIA Limited, Scolmore House, Mariner, Lichfield Road Industrial Estate, Tamworth, Staffordshire, B79 7UL United Kingdom

T: +44 (0)1827 300640

E: sales@oviaUK.com | W: oviaUK.com



DoC

