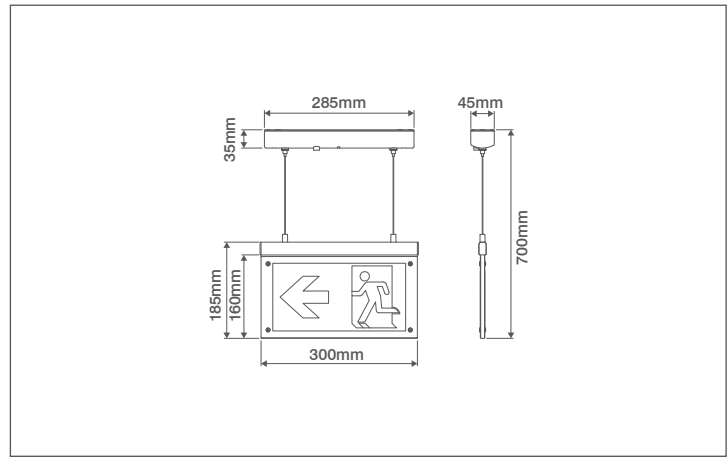


Product Code: OVEM4211DST

Description: 2W Emergency LED Self-Test Maintained Suspended Sign - Down Legend



General Information

Dimensions	300mm (W) x 700mm (H) x 45mm (D)
Materials	Housing: Polycarbonate
	Support Bar: Aluminium
	Sign: Acrylic
Finish	White
Weight	0.89Kg
Ingress Protection	IP20
Self-Test Facility	Yes
Warranty	4 Years

Luminaire Output

Colour Temperature	5500K
LED Lifetime (L70)	30,000 Hours
Beam Angle	100°
Typical Luminous Flux	40lm
Emergency Luminous Flux	30lm
Viewing Distance	26 Metres
Legend Direction	Down
Legend Supplied	Double Sided

Supply & Power

Input Voltage & Frequency	220-240V ~ 50/60Hz
Electrical Safety	Class II (Double Insulated)
Input Power	2W
Operation Mode	Maintained or Non-maintained
Ambient Temperature (Ta)	0°C - +40°C
Critical Temperature	+70°C
Cable Entry	Rear Aperture

Emergency Information

Emergency Duration	3 hours minimum
Charging Time	24 Hours
Battery Specification	3.6V 900mAh Ni-Cd Battery - Parallel

Accessories & Replacement Battery

OVEMB3609NCP	3.6V 900mAh Ni-Cd Battery - Parallel
OVEMSP002	Wall Bracket For Exit Signs