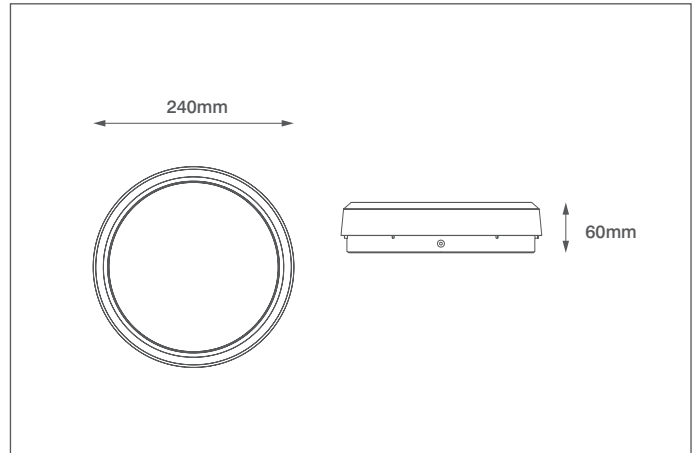


EVO SLIM MINI

Technical Specification

Product Code: OV9110010MW

Description: 10W LED Bulkhead - Microwave Sensor - IP65 - CTA - White



General Information

Dimensions (mm)	240 (Dia.) x 63 (D)
Materials	Base & Diffuser: Polycarbonate (UV Stabilised)
Finish	White (RAL 9016)
Product Weight (Kg)	0.8
Ingress Protection	IP65
Mounting	Ceiling or Wall
Warranty (Years)	5

Luminaire Output

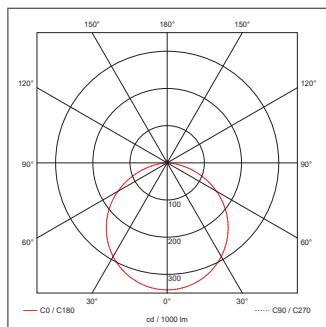
Colour Temperature (K)	3000	4000	6000
Typical Luminous Flux (lm)	850	930	900
Efficacy (lm/W)	85	93	90
Beam Angle (°)	120		
Colour Rendering Index (CRI)	>80		
LED Lifetime (L70) (Hours)	30,000		

Supply & Power Information

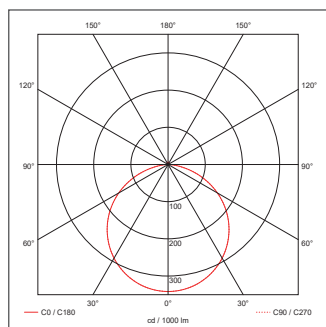
Input Voltage & Frequency (V~ / Hz)	220-240 50/60
Safety Class	II
Circuit Wattage (W)	10
LED Wattage (W)	10
Input Current (mA)	250
Power Factor	>0.9
Driver Information	Integrated
Operating Temperature (°C)	-15 to +50
Maximum Critical Temperature (°C)	+80
Input Terminations	3 Pole Push-fit Terminals

Sensor Information

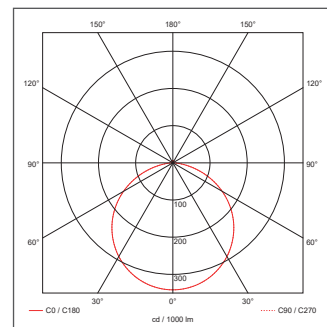
Detection Area Settings (%)	50 or 100
Detection Angle (°)	≤150
Light Level Settings (Lux)	15 / Disable
HF System	5.8GHz ±75MHz
Master/Slave Facility	Not Available
Hold Time Settings	5 secs / 90 secs / 3 mins / 10mins



3000



4000



6000



OVIA Limited, Scolmore House, Mariner, Lichfield Road Industrial Estate, Tamworth, Staffordshire, B79 7UL United Kingdom

T: +44 (0)1827 300640

E: sales@oviaUK.com | W: oviaUK.com