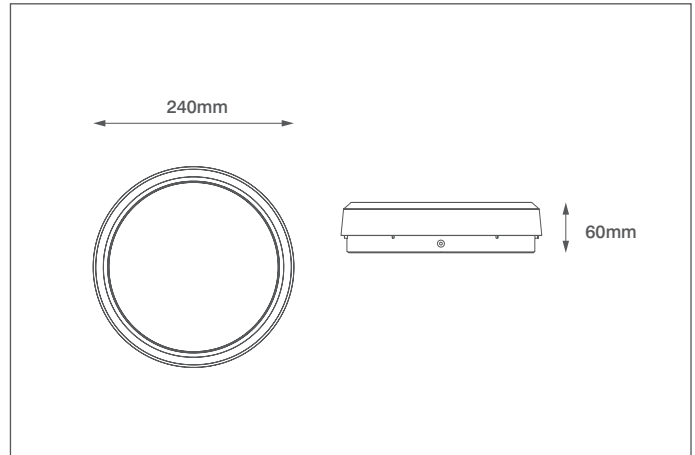


# EVO SLIM MINI

## Technical Specification

Product Code: OV9110010EMST

Description: 10W LED Bulkhead - Self-Test Emergency - IP65 - CTA - White



### General Information

Dimensions (mm)	240 (Dia.) x 63 (D)
Materials	Base & Diffuser: Polycarbonate (UV Stabilised)
Finish	White (RAL 9016)
Product Weight (Kg)	0.85
Ingress Protection	IP65
Mounting	Ceiling or Wall
Warranty (Years)	5
Battery Warranty (Years)	4

### Luminaire Output

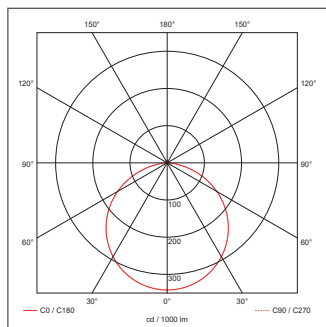
Colour Temperature (K)	3000	4000	6000
Typical Luminous Flux (lm)	850	930	900
Efficacy (lm/W)	70	77	75
Beam Angle (°)	120		
Emergency Luminous Flux (lm)	90	90	90
Colour Rendering Index (CRI)	>80		
LED Lifetime (L70) (Hours)	30,000		

### Supply & Power Information

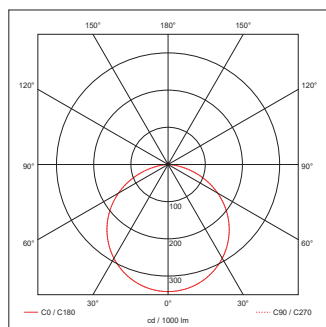
Input Voltage & Frequency (V~ / Hz)	220-240 50/60
Safety Class	II
Circuit Wattage (W)	12
LED Wattage (W)	10
Input Current (mA)	250
Power Factor	>0.9
Driver Information	Integrated
Operating Temperature (°C)	0 to +50
Maximum Critical Temperature (°C)	+80
Input Terminations	4 Pole Push-fit Terminals

### Emergency Backup Information

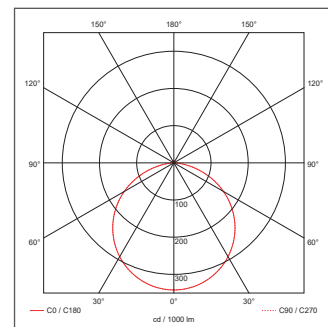
Self-Test Facility	Yes
Installation	Can be wired as maintained or non-maintained
Battery Specification	Li-Ion 2000mAh 3.7V
Minimum Duration (Hours)	3
Battery Warranty (Years)	4



3000



4000



6000



Ovia Limited, Scolmore House, Mariner, Lichfield Road Industrial Estate, Tamworth, Staffordshire, B79 7UL United Kingdom

T: +44 (0)1827 300640

E: sales@oviaUK.com | W: oviaUK.com