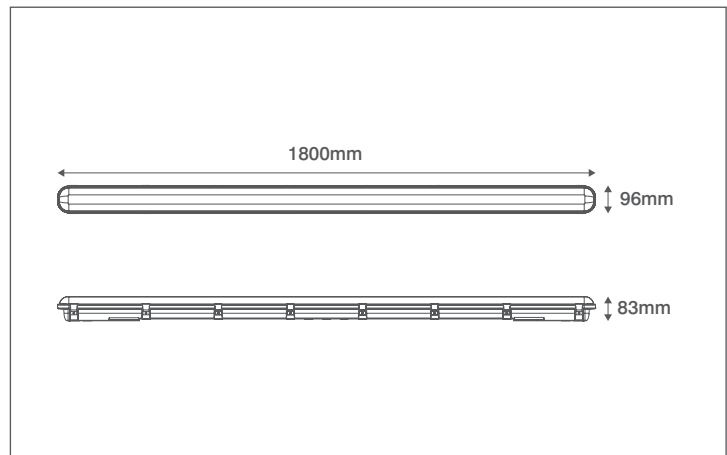


Product Code: OV80182MW

Description: 70W 1800mm Linear Utility LED Light With Microwave - IP65



### General Information

|                    |  |
|--------------------|--|
| Dimensions         | 1800mm (L) x 96mm (W) x 83mm (D)                       |
| Materials          | Base: Polycarbonate<br>Frosted Diffuser: Polycarbonate |
| Base Finish        | Light Grey   |
| Product Weight     | 2.42Kg   |
| Dimmable           | No   |
| Ingress Protection | IP65   |
| IK Rating          | IK08   |
| Mounting           | Ceiling, Wall or Suspended                             |
| Warranty           | 5 Years  |

### Supply & Power

|                           |  |
|---------------------------|--|
| Input Voltage & Frequency | 220-240V~ 50/60Hz                        |
| Electrical Safety         | Class I                                  |
| Input Power               | 70W                                      |
| Input Current             | 350mA                                    |
| Inrush Current            | 4A (94ms)                                |
| Power Factor              | >0.9                                     |
| Ambient Temperature (Ta)  | -20°C - +40°C                            |
| Critical Temperature      | +90°C                                    |
| Terminations              | 5 Pole Push Fit Terminal Block           |
| Cable Input Component     | 20mm IP68 Nylon Gland Supplied           |
| Fixing Components         | Surface and Suspension Brackets Supplied |

### Luminaire Output

|                       |  |
|-----------------------|--|
| Colour Temperature    | 4000K                                    |
| CRI                   | >80                                      |
| Typical Luminous Flux | 8400lm                                   |
| Efficacy              | 120lm/W                                  |
| Beam Angle            | 105°                                     |
| LED Lifetime (L70)    | 50,000 Hours                             |
| Fixing Components     | Surface and Suspension Brackets Supplied |

### Microwave Information

|                    |   |
|--------------------|---|
| Mounting Height    | 6M (Ceiling), 3M (Wall) (Recommended)               |
| Detection Angle    | 30° - 150°  |
| Detection Range    | 14M (Ceiling), 10M (Wall)                           |
| Detection Area     | 10% / 50% / 75% / 100% (DIP Switch Setting)         |
| Hold Time          | 5s / 90s / 5min. 15min. (DIP Switch Setting)        |
| Daylight Threshold | 2Lux / 10Lux / 50Lux / Disable (DIP Switch Setting) |
| HF System          | 5.8GHz ± 75MHz                                      |

