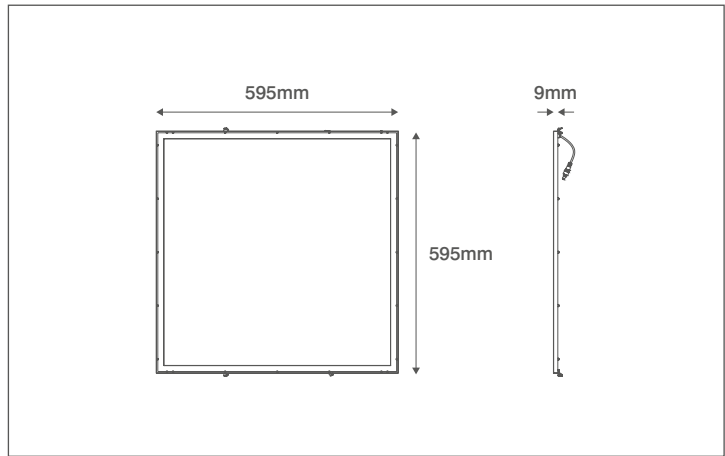


INCEPTOR® SLATE

Technical Specification

Product Code: OV75301WW

Description: 30W 600mm x 600mm LED Panel - 3000K - White



General Information

Dimensions	595mm x 595mm x 9mm
Materials	Frame: Powdercoated Aluminium Diffuser: Polycarbonate Light Guide Plate (LGP): PMMA
Finish	White (RAL 9003)
Product Weight	2.4Kg
Dimmable	No
Ingress Protection	IP44
Flammability Rating	TP(a)
Warranty	5 Years

Supply & Power

Input Voltage & Frequency	220-240V~ 50/60Hz
Electrical Safety	Class II (Double Insulated)
Input Power	30W
Input Current	137mA
In-rush Current	9.31A (460µs)
Power Factor	>0.9
Ambient Temperature (Ta)	-20°C - +40°C
Critical Temperature	+75°C
LED Driver	Remote Driver Supplied
Prewired Flow™ Connector	Yes (3 Pole CT105-F Push-fit Terminals)

Accessories

OVEMCG50	3 Hour Emergency Pack
OVSURF731	600mm x 600mm Surface Frame Kit
OVREC731	600mm x 600mm Recess Frame Kit
OVSUSP731	Suspension Wire Kit

Luminaire Output

Colour Temperature	3000K
CRI	>80
Typical Luminous Flux	3150lm
Efficacy	105lm/W
Beam Angle	90°
Unified Glare Rating (UGR)	<19
LED Lifetime (L70)	30,000 Hours
Flicker Free	Yes

Additional Information

Suspension hooks pre-fitted to the back

