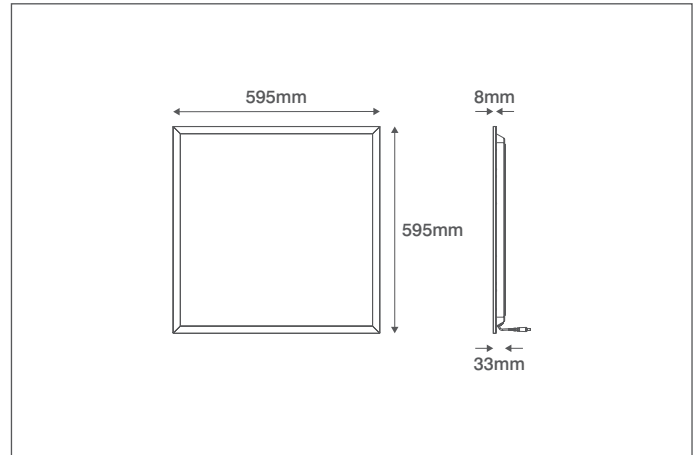


SLATE BACKLIT

Technical Specification

Product Code: OV74301CWBMF

Description: 30W 600mm x 600mm 3 in 1 Dimmable Backlit LED Panel CW White



General Information

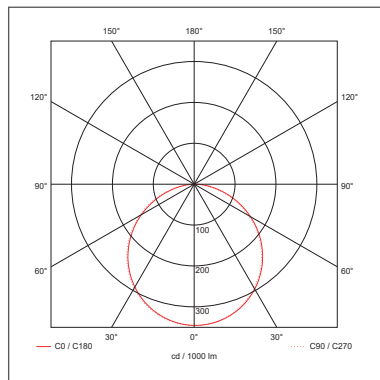
Dimensions (mm)	595 (L) x 595 (W) x 33 (D)
Materials	Frame: Powdercoated Aluminium Diffuser: Polystyrene Back Cover: Powdercoated Steel
Finish	White (RAL 9003)
Product Weight (Kg)	1.8
Ingress Protection	IP20
Impact Rating (IK)	06
Flammability Rating	TP(b)
Warranty (Years)	5

Additional Information

Suspension hooks pre-fitted to the back

Compatible Accessories

- OVSUSP731 - Suspension Wire Kit
- OVREC731 - 600mm x 600mm Recess Frame Kit
- OVSURF734 - 600mm x 600mm Surface Frame Kit
- OVEMCG50 - 3 Hour Emergency Pack
- OVEMCG50ST - 3 Hour Self-Test Emergency Pack



Supply & Power Information

Input Voltage & Frequency (V~ / Hz)	200-240 50/60
Safety Class	Class II (Double Insulated)
Circuit Wattage (W)	30
Input Current (mA)	125
Inrush Current/Time	<30A(Twidth=120us measured at 50% Ipeak) @ 230Vac
Power Factor	>0.9
Operating Temperature (°C)	-20 to +40
Critical Temperature (°C)	+75
Driver Information	Remote 3 In 1 Multi-Function Driver Supplied
Input Terminations	Push-fit Terminals

Luminaire Output

Colour Temperature (K)	4000
Colour Render Index (CRI)	>80
Typical Luminous Flux (lm)	3100
Efficacy (lm/W)	105
Beam Angle (°)	120
Flicker Free	Yes
LED Lifetime (L70) (Hours)	50,000

Dimming Information

Dimmable	Yes
Dimming Format	DALI, Switch Dim, 1-10V, 10V PWM
DALI Voltage (V DC)	9.5V to 22.5V
DALI Connectable Driver	Up To 64 Drivers To One DALI Control Line
DALI Line Length Max.	100M Max. - 2 x 0.50mm ² 150M Max. - 2 x 0.75mm ² 200M Max. - 2 x 1.00mm ² 300M Max. - 2 x 1.50mm ²
Switch Dim Control Type	Switch Dim Using Retractive Switch(es)
Switch Dim Voltage	230V~ input to driver
Switch Dim Control Format	Short Press: ON / OFF; Press & Hold: DIM
Analogue Control Type	1-10V / 10V PWM Dimming
Analogue (1-10V) Parameters	Upto 16 drivers with 20 metres maximum between drivers
Analogue (1-10V) Information	An additional isolation switch will be required to turn the driver On and Off



Ovia Limited, Scolmore House, Mariner, Lichfield Road Industrial Estate, Tamworth, Staffordshire, B79 7UL United Kingdom

T: +44 (0)1827 300640

E: sales@oviaUK.com | W: oviaUK.com