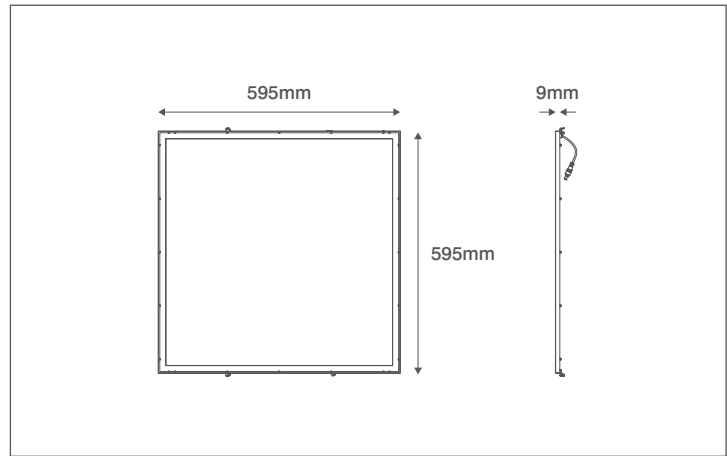


Product Code: OV73301WW

Description: 30W 600mm x 600mm LED Panel - 3000K - White



General Information

Dimensions	595mm x 595mm x 9mm
Materials	Frame: Powdercoated Aluminium Diffuser: Polypropylene Light Guide Plate (LGP): Polystyrene
Finish	White (RAL 9003)
Product Weight	2.2Kg
Dimmable	No
Ingress Protection	IP20
Flammability Rating	TP(a)
Warranty	3 Years

Supply & Power

Input Voltage & Frequency	220-240V~ 50/60Hz
Electrical Safety	Class II (Double Insulated)
Input Power	30W
Input Current	134mA
In-rush Current	8.06A (230μs)
Power Factor	>0.9
Ambient Temperature (Ta)	-20°C - +40°C
Critical Temperature	+75°C
LED Driver	Remote Driver Supplied
Termination	In To Driver (Screw Terminals)

Accessories

OVEMCG50	3 Hour Emergency Pack
OVSURF731	600mm x 600mm Surface Frame Kit
OVREC731	600mm x 600mm Recess Frame Kit
OVSUSP731	Suspension Wire Kit

Luminaire Output

Colour Temperature	3000K
CRI	>80
Typical Luminous Flux	2850lm
Efficacy	95lm/W
Beam Angle	120°
LED Lifetime (L70)	30,000 Hours

Additional Information

Suspension hooks pre-fitted to the back

