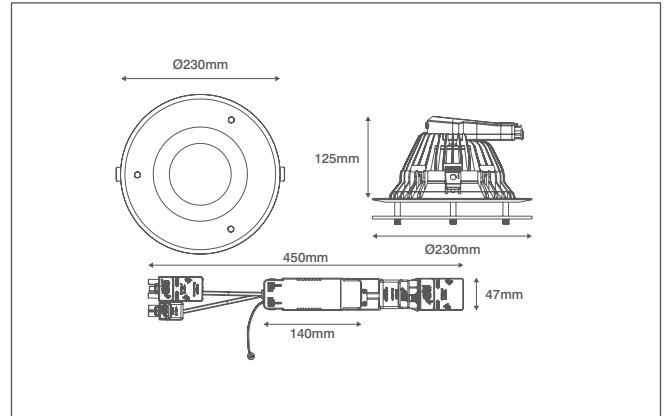


INCEPTOR® IONA

Technical Specification

Product Code: OV65208CTAGL3EM

Description: 20W 230mm Diameter Downlight With Drop Glass CTA Switch - IP44 - White



General Information

Dimensions	230mm Diameter x 125mm (D)
Materials	Bezel & Heatsink: Powdercoated Aluminium Diffuser: Polycarbonate Engine Housing: Polycarbonate
Finish	White (RAL 9003)
Product Weight	1.69Kg
Cutout	170mm Diameter
Dimmable	No
Ingress Protection	IP44
Warranty	5 Years (4 Years Battery)

Supply & Power

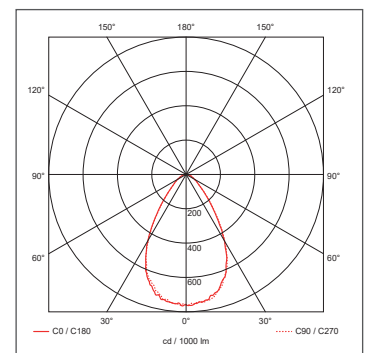
Input Voltage & Frequency	220-240V~ 50/60Hz
Electrical Safety	Class II (Double Insulated)
LED Wattage	20W
Circuit Wattage	21.3W
Input Current	110mA
In-rush Current	4.22A (91.2µs)
Power Factor	>0.9
Ambient Temperature (Ta)	0°C - +25°C
Critical Temperature	+80°C
LED Driver	Integrated
Prewired Flow™ Connector	Yes (4 Pole CT205-F Push-fit Terminals)

Luminaire Output

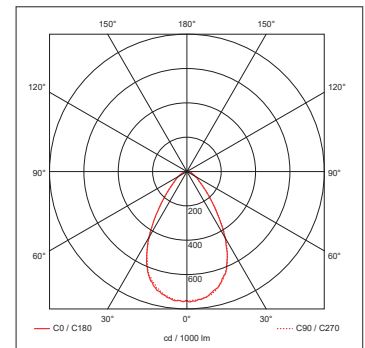
	2700K	4000K	6500K
Typical Luminous Flux	1300lm	1450lm	1400lm
Efficacy	65lm/W	73lm/W	70lm/W
Emergency Luminous Flux	39lm	40lm	44lm
Beam Angle	75°		
CRI	>80		
LED Lifetime (L70)	50,000 Hours		

Emergency Pack Information (OVCGEM6500)

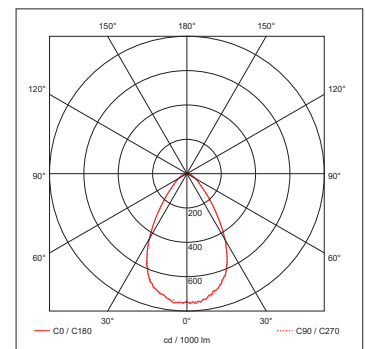
Installation Requirements	Can be installed as maintained or non-maintained
Battery Specification	4.8V 2000mAh Ni-MH
Emergency Duration	3 Hours Minimum



2700K



4000K



6500K



OVIA Limited, Scolmore House, Mariner, Lichfield Road Industrial Estate, Tamworth, Staffordshire, B79 7UL United Kingdom

T: +44 (0)1827 300640

E: sales@oviaUK.com | W: oviaUK.com