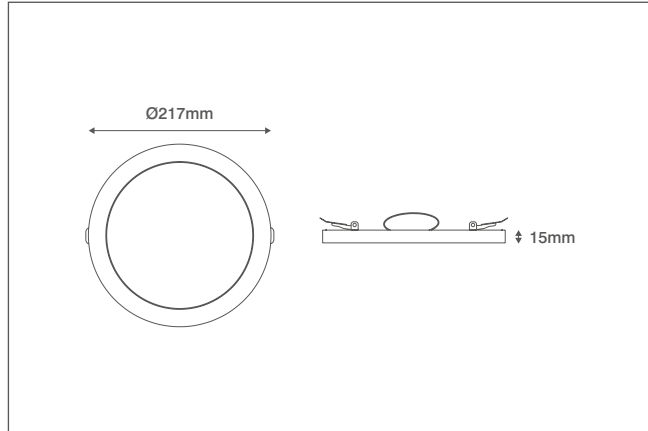
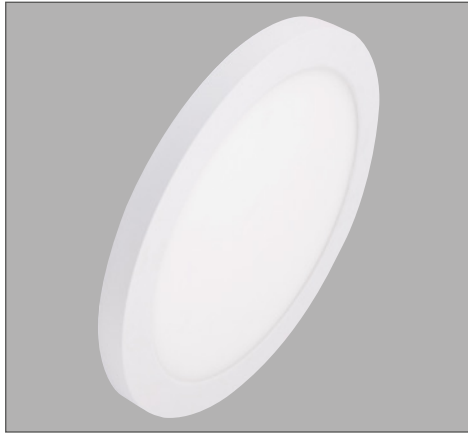


Technical Specification

Product Code: OV6418

Description: 18W 217mm Diameter Adaptable Downlight With CTA Switch - White



General Information

Dimensions	217mm Diameter x 15mm (D)
Materials	Body: Polycarbonate Diffuser: Polystyrene
Finish	White (RAL 9016)
Product Weight	0.396Kg
Cutout (If Available)	55-175mm Diameter
Ingress Protection	IP20
Warranty	3 Years

Supply & Power

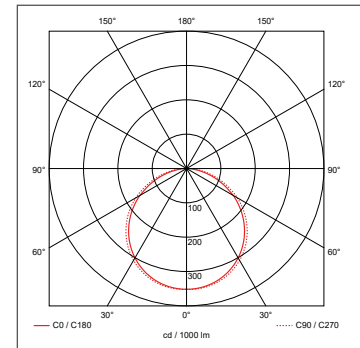
Input Voltage & Frequency	240V~ 50/60Hz
Electrical Safety	Class II (Double Insulated)
Input Power	18W
Input Current	150mA
In-rush Current	3A (10ms)
Power Factor	>0.5
Ambient Temperature (Ta)	-20°C - +40°C
Critical Temperature	+50°C
LED Driver	Integrated
Input Mains Cable	2 x 0.75mm ² H03-VH2F (250mm)

Luminaire Output

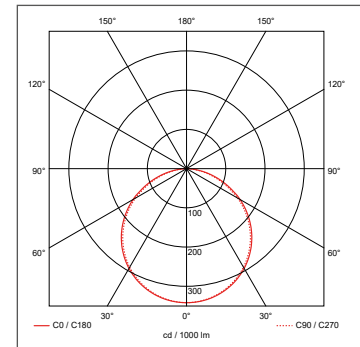
Colour Temperature	3000K	4000K	6000K
Typical Luminous Flux	1588lm	1717lm	1580lm
Efficacy	93lm/W	94lm/W	92lm/W
CRI	>80		
Beam Angle	110°		
Flicker Free	Yes		
LED Lifetime (L70)	30,000 Hours		

Accessories

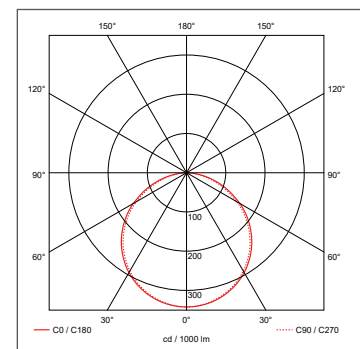
OVBZ6418SC	Fascia Ring For 18W Downlight - Satin Chrome
OVBZ6418CH	Fascia Ring For 18W Downlight - Chrome
OVBZ6418BK	Fascia Ring For 18W Downlight - Black



3000K



4000K



6000K

