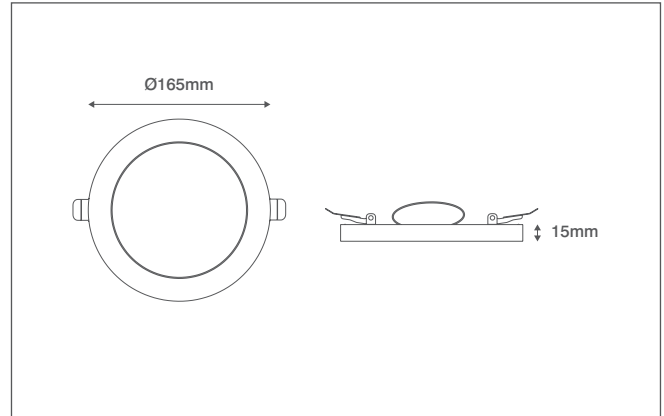


# INCEPTOR® APTO

## Technical Specification

Product Code: OV6412D

Description: 12W 165mm Diameter Adaptable Dimmable Downlight With CTA Switch - White



### General Information

Dimensions	165mm Diameter x 15mm (D)
Materials	Body: Polycarbonate Diffuser: Polystyrene
Finish	White (RAL 9016)
Product Weight	0.264Kg
Cutout (If Available)	55-125mm Diameter
Ingress Protection	IP20
Warranty	3 Years

### Supply & Power

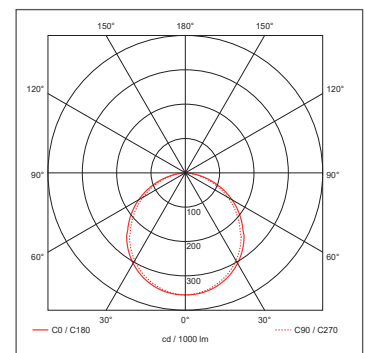
Input Voltage & Frequency	220-240V~ 50Hz
Electrical Safety	Class II (Double Insulated)
Circuit Wattage	12W
Input Current	60mA
In-rush Current	2A (10ms)
Power Factor	>0.9
Ambient Temperature (Ta)	-20°C - +40°C
Critical Temperature	+50°C
LED Driver	Integrated
Input Mains Cable	2 x 0.75mm <sup>2</sup> H03-VVH2-F (150mm)

### Luminaire Output

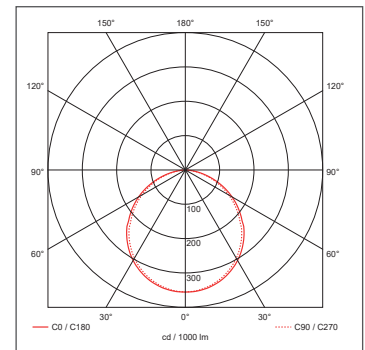
Colour Temperature	3000K	4000K	6000K
Typical Luminous Flux	780	880	790
Efficacy	65lm/W	73lm/W	65lm/W
Beam Angle	110°		
CRI	>80		
Flicker Free	Yes		
LED Lifetime (L70)	30,000 Hours		

### Accessories

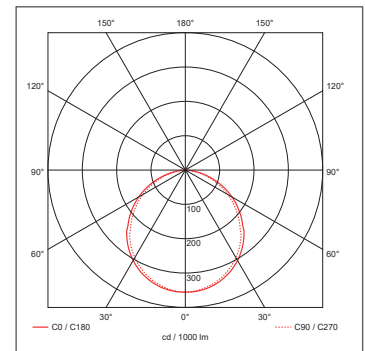
OVBZ6412SC	Fascia Ring For 12W Downlight - Satin Chrome
OVBZ6412CH	Fascia Ring For 12W Downlight - Chrome
OVBZ6412BK	Fascia Ring For 12W Downlight - Black



3000K



4000K



6000K



OVIA Limited, Scolmore House, Mariner, Lichfield Road Industrial Estate, Tamworth, Staffordshire, B79 7UL United Kingdom

T: +44 (0)1827 300640

E: sales@oviaUK.com | W: oviaUK.com