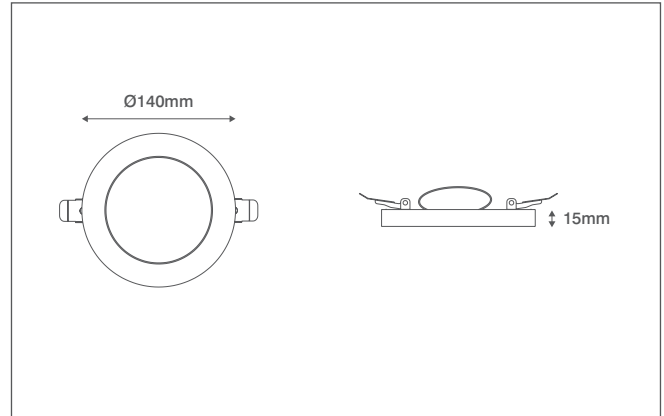


INCEPTOR® APTO

Technical Specification

Product Code: OV6406D

Description: 6W 140mm Diameter Adaptable Dimmable Downlight With CTA Switch - White



General Information

Dimensions	140mm Diameter x 15mm (D)
Materials	Body: Polycarbonate Diffuser: Polystyrene
Finish	White (RAL 9016)
Product Weight	0.208Kg
Cutout (If Available)	55-100mm Diameter
Ingress Protection	IP20
Warranty	3 Years

Supply & Power

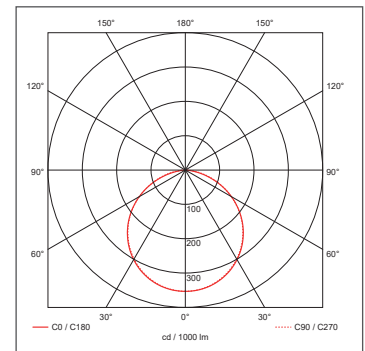
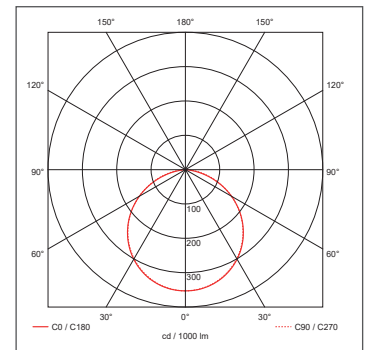
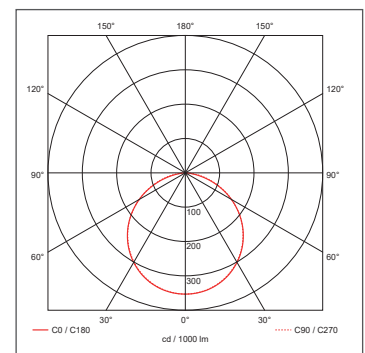
Input Voltage & Frequency	220-240V~ 50Hz
Electrical Safety	Class II (Double Insulated)
Circuit Wattage	6W
Input Current	30mA
In-rush Current	1A (10ms)
Power Factor	>0.9
Ambient Temperature (Ta)	-20°C - +40°C
Critical Temperature	+50°C
LED Driver	Integrated
Input Mains Cable	2 x 0.75mm² H03-VVH2-F (180mm)

Luminaire Output

Colour Temperature	3000K	4000K	6000K
Typical Luminous Flux	340	390	360
Efficacy	56lm/W	65lm/W	60lm/W
Beam Angle	110°		
CRI	>80		
Flicker Free	Yes		
LED Lifetime (L70)	30,000 Hours		

Accessories

OVBZ646SC	Fascia Ring For 6W Downlight - Satin Chrome
OVBZ646CH	Fascia Ring For 6W Downlight - Chrome
OVBZ646BK	Fascia Ring For 6W Downlight - Black



OVIA Limited, Scolmore House, Mariner, Lichfield Road Industrial Estate, Tamworth, Staffordshire, B79 7UL United Kingdom

T: +44 (0)1827 300640

E: sales@oviaUK.com | W: oviaUK.com