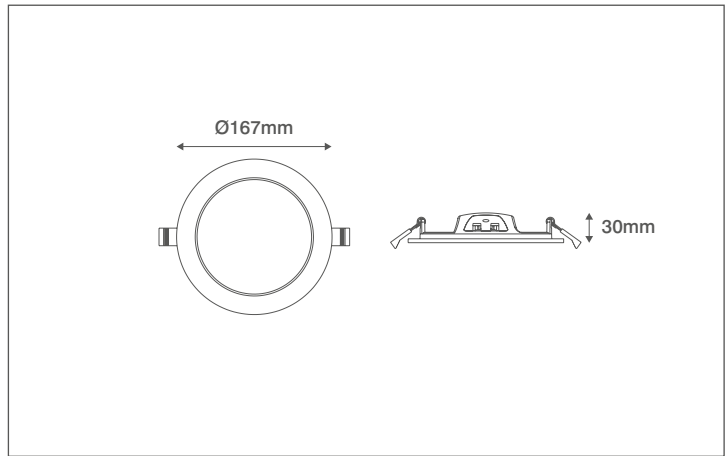


Product Code: OV6112CW

Description: 12W 167mm Diameter LED Downlight - 4000K - White



### General Information

Dimensions	167mm Diameter x 30mm (D)
Materials	Body: Polycarbonate + ABS
	Diffuser: Polystyrene
	Light Guide Plate (LGP): Polystyrene
Finish	White (RAL 9016)
Product Weight	0.235Kg
Cutout	150mm Diameter
Ingress Protection	IP20
Ceiling Thickness	20mm Max.
Warranty	2 Years

### Supply & Power

Input Voltage & Frequency	220-240V~ 50/60Hz
Electrical Safety	Class II (Double Insulated)
Input Power	12W
Input Current	100±10mA
Power Factor	>0.5
Ambient Temperature (Ta)	-10°C - +40°C
Critical Temperature	+85°C
LED Driver	Integrated
Termination	Terminal Block (Screw Terminals)

### Luminaire Output

Colour Temperature	4000K
CRI	>80
Typical Luminous Flux	900lm
Efficacy	75lm/W
Beam Angle	110°
LED Lifetime (L70)	30,000 Hours

