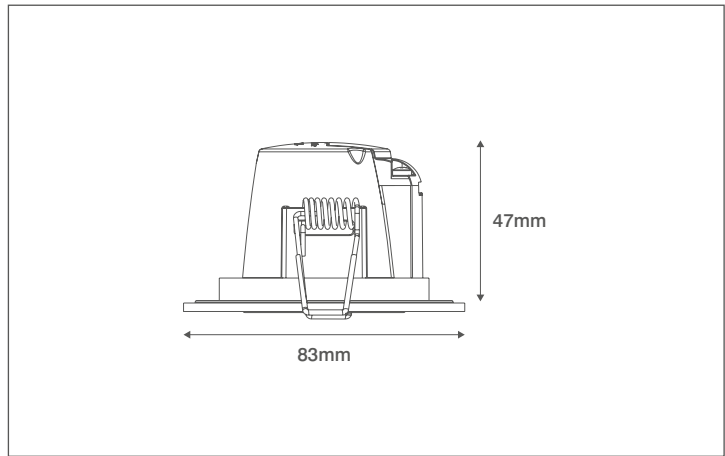


Product Code: OV3500CH5WD

Description: 5.5W LED Dimmable Downlight - IP65 - 2700K - Chrome



General Information

| | |
|--------------------|--------------------------|
| Dimensions | 83mm Diameter x 47mm (D) |
| Materials | Housing: ABS |
| Finish | Polished Chrome |
| Product Weight | 0.098Kg |
| Cutout | 65-75mm Diameter |
| Dimmable | Yes |
| Ingress Protection | IP65 |
| Warranty | 2 Years |

Supply & Power

| | |
|---------------------------|-----------------------------|
| Input Voltage & Frequency | 220-240V~ 50/60Hz |
| Electrical Safety | Class II (Double Insulated) |
| Input Power | 5.5W |
| Input Current | 32mA |
| Power Factor | 0.8 |
| Ambient Temperature (Ta) | -15°C - +40°C |
| Critical Temperature | +80°C |
| LED Driver | Integrated |

Accessories

| | |
|--------------|--|
| OVSP4120CH | 130mm Diameter Converter Plate - Chrome |
| OVEMCG2305M3 | 3 Hour Universal Emergency Pack With prewired Flow™ Connectors |

Luminaire Output

| | |
|-----------------------|--------------|
| Colour Temperature | 2700K |
| CRI | >80 |
| Typical Luminous Flux | 230lm |
| Efficacy | 63lm/W |
| Beam Angle | 90° |
| LED Lifetime (L70) | 20,000 Hours |

