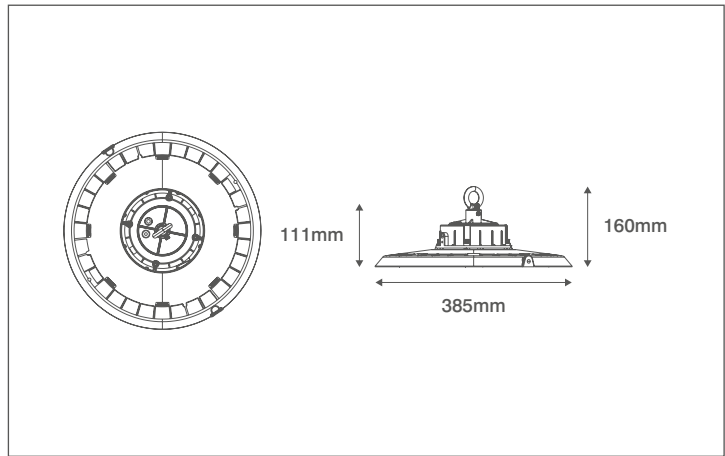


Product Code: OV108200

Description: 200W LED 1-10V Dimmable Highbay - IP65 - 4000K - Black



### General Information

Dimensions	385mm Diameter x 160mm (D) (With Hook)
Materials	Body: Powdercoated Aluminium Diffuser: Polycarbonate
Finish	Black (RAL 9004)
Product Weight	3.59Kg
Dimmable	Yes - 0(1)-10V
Ingress Protection	IP65
IK Rating	IK10
Warranty	4 Years

### Supply & Power

Input Voltage & Frequency	100-277V~ 50/60Hz
Electrical Safety	Class I
Input Power	200W
Input Current	870mA
Inrush Current	73.5A (740µs)
Power Factor	0.98
Ambient Temperature (Ta)	-40°C - +45°C
Critical Temperature	>65°C @25°C
Input Mains Cable	3 x 1mm <sup>2</sup> H05-RNF (3 Metres)
0(1)-10V Input Cable	2 x 20 AWG (3 Metres) - Black

### Accessories

OVWB1083 Bracket For 200W Grus Highbay Fitting

### Luminaire Output

Colour Temperature	4000K
CRI	70
Typical Luminous Flux	24290lm
Efficacy	119lm/W
Beam Angle	90°
LED Lifetime (L70)	36,000 Hours

