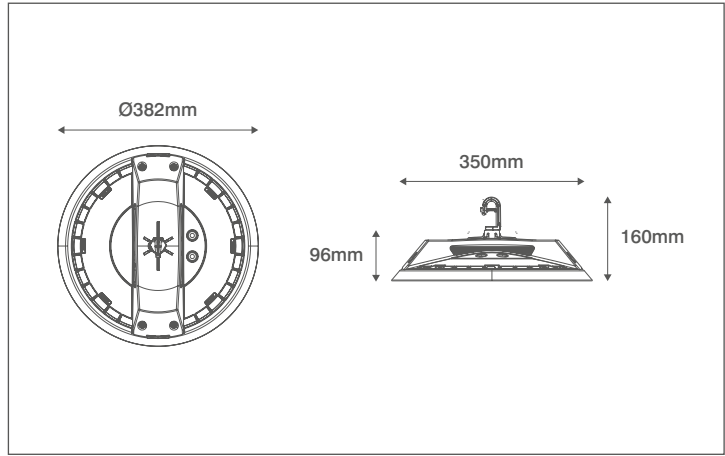


Technical Specification

Product Code: OV100200S

Description: 200W LED 1-10V Dimmable Highbay With Microwave - IP65 - 4000K - Black



General Information

Dimensions	382mm Diameter x 160mm (D) (With Hook)
Materials	Body: Powdercoated Aluminium Diffuser: Polycarbonate
Finish	Black (RAL 9004)
Product Weight	4.46Kg
Dimmable	Yes - Via the microwave sensor and remote
Ingress Protection	IP65
IK Rating	IK10
Warranty	6 Years

Supply & Power

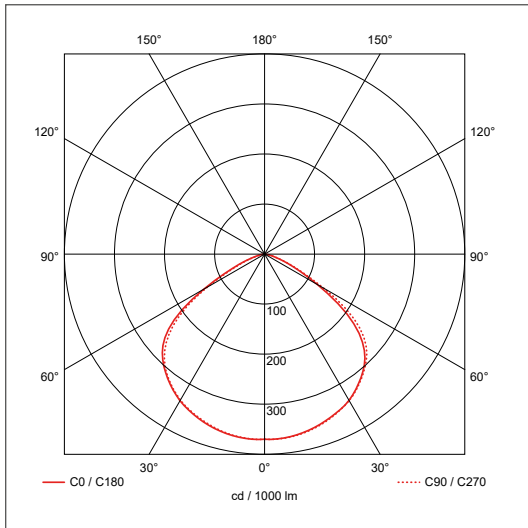
Input Voltage & Frequency	100-277V~ 50/60Hz
Electrical Safety	Class I
Input Power	200W
Input Current	2000mA
Inrush Current	58.8A (396µs)
Power Factor	>=0.95
Ambient Temperature (Ta)	-40°C - +45°C
Critical Temperature	>65°C @25°C
Input Mains Cable	3 x 1mm² H05-RNF (3 Metres)

Accessories

OVWB1093	Bracket For 200W Inceptor® Hion Highbay Fitting
OVCGBIRR	Remote Control For Inceptor® Hion Microwave Fittings

Luminaire Output

Colour Temperature	4000K
CRI	70
Typical Luminous Flux	29600lm
Efficacy	143lm/W
Beam Angle	90°
LED Lifetime (L70)	54,000 Hours



Microwave Sensor Information

Mounting Height	15 Metres Maximum
Sensor Detection Range	15 Metres x 12 Metres (Ceiling Mounted), 20 Metres (Wall Mounted)
Remote Control	OVCGBIRR required to adjust settings below**
**Detection Range	25%, 50%, 75%, 100%
**Hold Time	5s, 30s, 1min, 3min, 5min, 10min, 20 min, 30min
**Daylight Threshold	2Lux, 10Lux, 30Lux, 50Lux, 80Lux, 120Lux, Disable
**Standby Period	0s, 10s, 30s, 1min, 5min, 10min, 30min, ∞ +
**Standby Dimming Level	10%, 20%, 30%, 50%