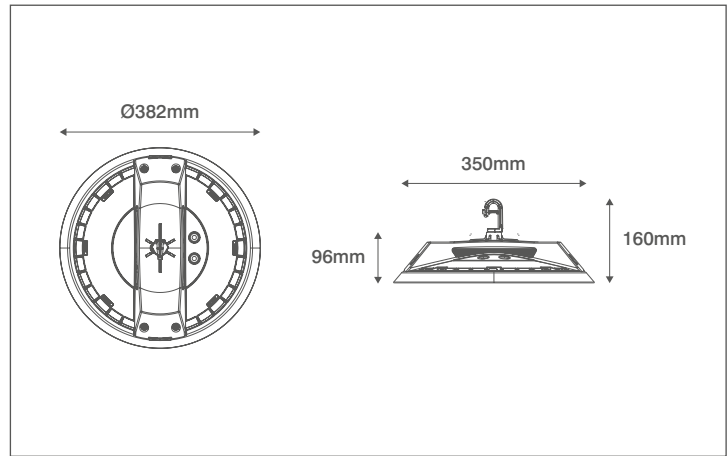


Product Code: OV100200

Description: 200W LED 1-10V Dimmable Highbay - IP65 - 4000K - Black



General Information

Dimensions	382mm Diameter x 160mm (D) (With Hook)
Materials	Body: Powdercoated Aluminium Diffuser: Polycarbonate
Finish	Black (RAL 9004)
Product Weight	3.99Kg
Dimmable	Yes - 0(1)-10V
Ingress Protection	IP65
IK Rating	IK10
Warranty	6 Years

Supply & Power

Input Voltage & Frequency	100-277V~ 50/60Hz
Electrical Safety	Class I
Input Power	200W
Input Current	1800mA
Inrush Current	58.8A (396 μ s)
Power Factor	≥ 0.95
Ambient Temperature (Ta)	-40°C - +45°C
Critical Temperature	$> 65^\circ\text{C}$ @25°C
Input Mains Cable	3 x 1mm ² H05-RNF (3 Metres)
0(1)-10V Input Cable	2 x 20 AWG (3 Metres) - Black

Accessories

OVWB1093 Bracket For 200W Inceptor® Hion Highbay Fitting

Luminaire Output

Colour Temperature	4000K
CRI	70
Typical Luminous Flux	29400lm
Efficacy	144lm/W
Beam Angle	90°
LED Lifetime (L70)	54,000 Hours

