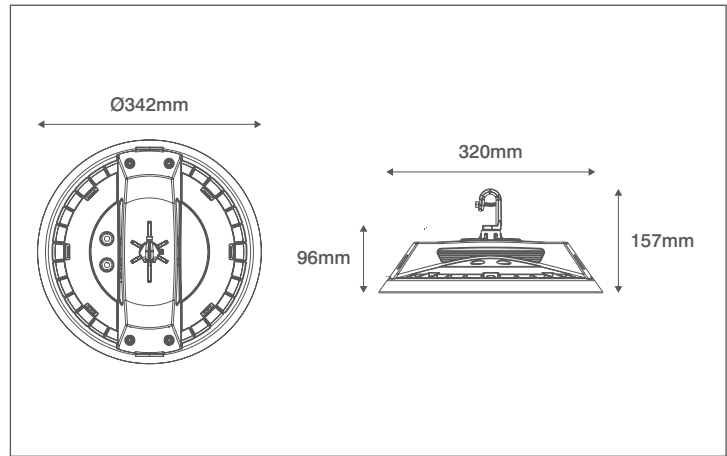


Product Code: OV100150

Description: 150W LED 1-10V Dimmable Highbay - IP65 - 4000K - Black



General Information

Dimensions	342mm Diameter x 157mm (D) (With Hook)
Materials	Body: Powdercoated Aluminium Diffuser: Polycarbonate
Finish	Black (RAL 9004)
Product Weight	3.65Kg
Dimmable	Yes - 0(1)-10V
Ingress Protection	IP65
IK Rating	IK10
Warranty	6 Years

Supply & Power

Input Voltage & Frequency	100-277V~ 50/60Hz
Electrical Safety	Class I
Input Power	150W
Input Current	1200mA
Inrush Current	53A (436µs)
Power Factor	>=0.95
Ambient Temperature (Ta)	-40°C - +45°C
Critical Temperature	>65°C @25°C
Input Mains Cable	3 x 1mm² H05-RNF (3 Metres)
0(1)-10V Input Cable	2 x 20 AWG (3 Metres) - Black

Accessories

OVWB1092	Bracket For 100W & 150W Inceptor® Hion Highbay Fittings
----------	---

Luminaire Output

Colour Temperature	4000K
CRI	70
Typical Luminous Flux	21750lm
Efficacy	142lm/W
Beam Angle	90°
LED Lifetime (L70)	54,000 Hours

