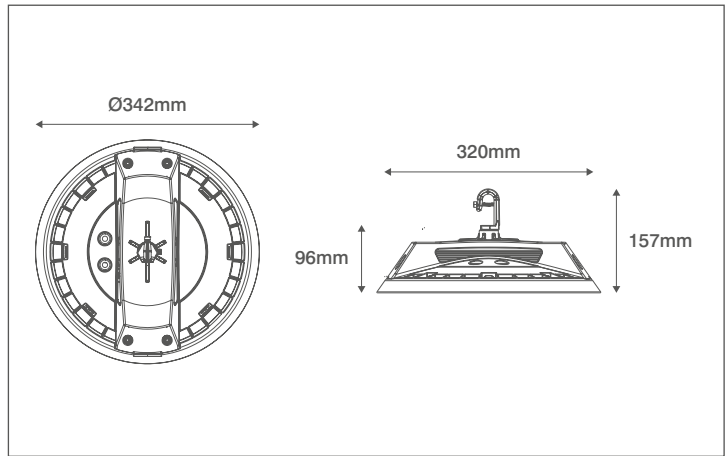


Product Code: OV100100S

Description: 100W LED 1-10V Dimmable Highbay With Microwave - IP65 - 4000K - Black



General Information

Dimensions	342mm Diameter x 157mm (D) (With Hook)
Materials	Body: Powdercoated Aluminium Diffuser: Polycarbonate
Finish	Black (RAL 9004)
Product Weight	3.87Kg
Dimmable	Yes - Via the microwave sensor and remote
Ingress Protection	IP65
IK Rating	IK10
Warranty	6 Years

Supply & Power

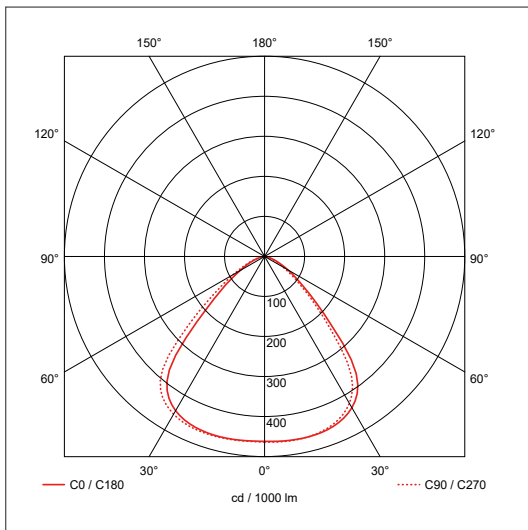
Input Voltage & Frequency	100-277V~ 50/60Hz
Electrical Safety	Class I
Input Power	100W
Input Current	900mA
Inrush Current	29.2A (640µs)
Power Factor	>=0.95
Ambient Temperature (Ta)	-40°C - +45°C
Critical Temperature	>65°C @25°C
Input Mains Cable	3 x 1mm² H05-RNF (3 Metres)

Accessories

OVWB1092	Bracket For 100W & 150W Inceptor® Hion Highbay Fittings
OVCGBIRRR	Remote Control For Inceptor® Hion Microwave Fittings

Luminaire Output

Colour Temperature	4000K
CRI	70
Typical Luminous Flux	14600lm
Efficacy	141lm/W
Beam Angle	90°
LED Lifetime (L70)	54,000 Hours



Microwave Sensor Information

Mounting Height	15 Metres Maximum
Sensor Detection Range	15 Metres x 12 Metres (Ceiling Mounted), 20 Metres (Wall Mounted)
Remote Control	OVCGBIRRR required to adjust settings below**
**Detection Range	25%, 50%, 75%, 100%
**Hold Time	5s, 30s, 1min, 3min, 5min, 10min, 20min, 30min
**Daylight Threshold	2Lux, 10Lux, 30Lux, 50Lux, 80Lux, 120Lux, Disable
**Standby Period	0s, 10s, 30s, 1min, 5min, 10min, 30min, ∞ +
**Standby Dimming Level	10%, 20%, 30%, 50%