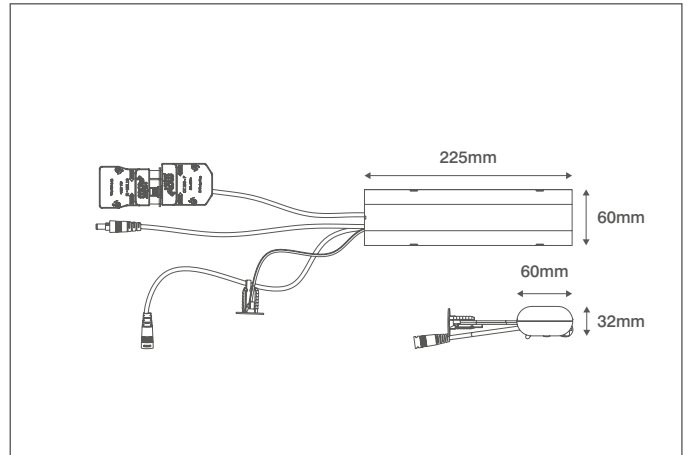
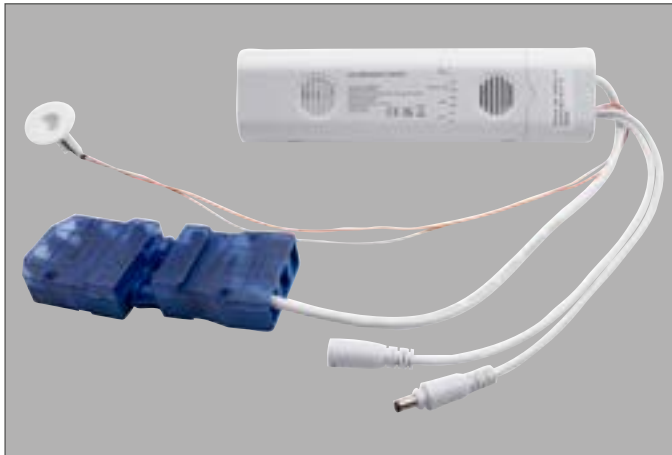


CONTROL GEAR⁵

Technical Specification

Product Code: OEP4

Description: Emergency Conversion Solution For LED Panel Light



General Information

Dimensions (mm)	225 (L) x 60 (W) x 32 (D)
Materials	Housing: Polycarbonate
Finish	White
Product Weight (Kg)	0.5
Ingress Protection	IP20
Warranty (Years)	5

Supply & Power Information

Input Voltage & Frequency (V~ / Hz)	4 50/60
Safety Class	II
Power Consumption (W)	4
Output Current (mA)	640-1000
Charge Current (mA)	170-280
Charge Time Minimum (Hours)	24
Battery (Cells)	4
Rated Power (W)	4
Operating Temperature (°C)	0 to +50
Maximum Critical Temperature (°C)	+70
Prewired Flow™ Connector	CT203C - 4 Pole Connector with Fast-Fit Cord Grip

Emergency Backup Information

Installation	Can be wired as maintained or non-maintained
Battery Specification	6.4V 3200mAh Lithium (LiFePO4) Battery
Minimum Duration (Hours)	3

Compatible Accessories

OEB6432L - 6.4V 3200mAh Lithium (LiFePO4) Battery

Compatible Fittings

OVIA LED panels & AluPanel (excluding 24W) fittings



OVIA Limited, Scolmore House, Mariner, Lichfield Road Industrial Estate,
 Tamworth, Staffordshire, B79 7UL United Kingdom
T: +44 (0)1827 300640
E: sales@oviaUK.com | **W:** oviaUK.com

