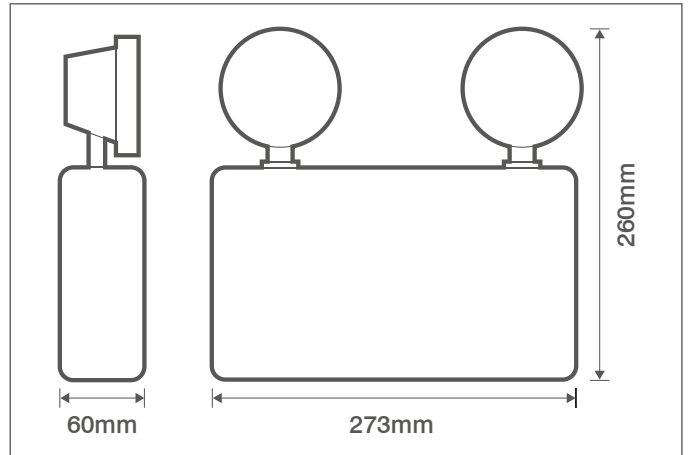


Description: 2 X 3W Emergency LED Non-Maintained Twin Spot



General Information

Dimensions (mm)	273 (L) x 260 (W) x 60 (D)
Materials	Housing: Polycarbonate; Diffuser: Polycarbonate
Finish	White
Product Weight (Kg)	1
Ingress Protection	IP20
Warranty (Years)	5

Luminaire Output

Colour Temperature (K)	6000
Beam Angle (°)	100
LED Lifetime (L70) (Hours)	30000

Emergency Backup Information

Emergency Luminous Flux (lm)	300
Battery Specification	3.2V 1500mAh Lithium (LiFePO4) Battery
Minimum Duration (Hours)	3

Supply & Power Information

Input Voltage & Frequency (V~ / Hz)	220-240 50/60
Safety Class	1
Circuit Wattage (W)	6
Operation Mode	Non-maintained Only
Cable Entry	2 x Ø20mm Knockouts
Operating Temperature (°C)	0 to +40
Maximum Critical Temperature (°C)	+70

Compatible Accessories

OEB3215L - 3.2V 1500mAh Lithium (LiFePO4) Battery

Escape Route 1 lux min

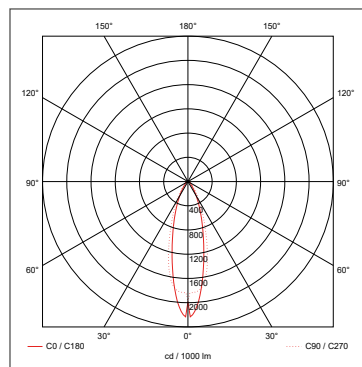
Mounting Height	Axial/Wall	Axial/Axial	Transverse/Axial	Transverse/Transverse	Transverse/Wall
2.0m	2.5	5.5	5.5	5.5	2.5
2.5m	3	6	6	6	3
3.0m	3	6.5	6.5	6.5	3

Illuminance values based on a maintenance factor of 0.8
Photometric spacing data 1 Lux (centre to centre in metres on emergency escape routes)

Open Areas

Mounting Height	Axial/Wall	Axial/Axial	Transverse/Axial	Transverse/Transverse	Transverse/Wall
2.0m	1.6	5	5	5	1.6
2.5m	2	5.5	5.5	5.5	2
3.0m	2.4	6	6	6	2.4

Illuminance values based on a maintenance factor of 0.8



Emergency (DC)



Ovia Limited, Scolmore House, Mariner, Lichfield Road Industrial Estate,
Tamworth, Staffordshire, B79 7UL United Kingdom
T: +44 (0)1827 300640
E: sales@oviaUK.com | W: oviaUK.com

