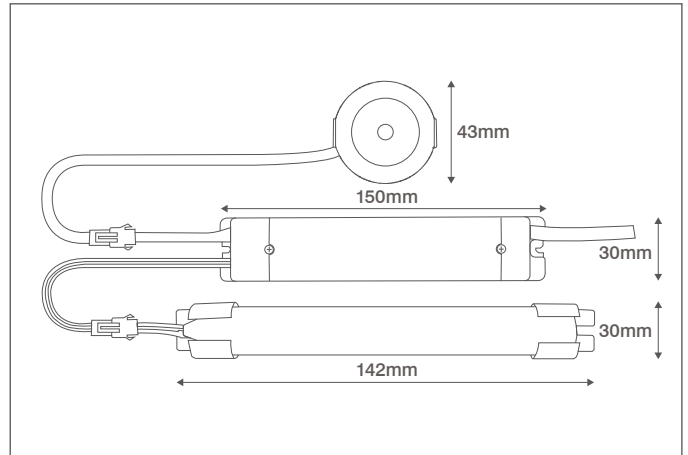
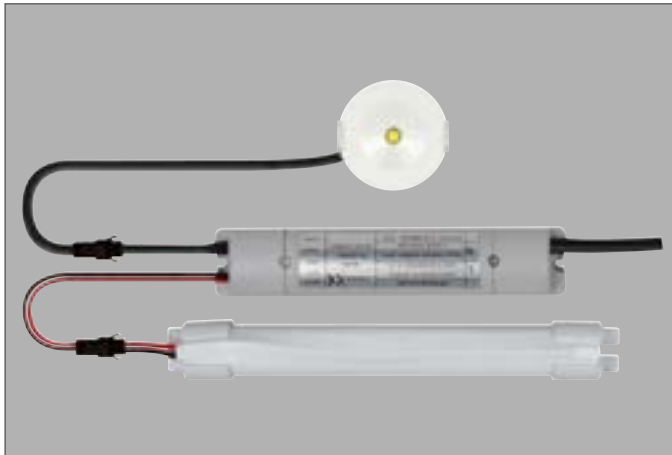


Description: 3W Emergency LED Non-Maintained Open Downlight



General Information

Dimensions (mm)	150 (L) x 30 (W) x 30 (D)
Materials	Downlight: Polycarbonate
Finish	White, Black & Silver
Product Weight (Kg)	0.3
Cutout Diameter (mm)	35
Recess Depth (mm)	30
Ingress Protection	IP20
Warranty (Years)	5

Luminaire Output

Colour Temperature (K)	5500
Beam Angle (°)	120
LED Lifetime (L70) (Hours)	30000

Emergency Backup Information

Emergency Luminous Flux (lm)	130
Battery Specification	3.2V 1500mAh Lithium (LiFePO4) Battery
Minimum Duration (Hours)	3

Supply & Power Information

Continuous Operating Voltage (AC) (Hz)	220-240 (50/60)
Safety Class	II
Circuit Wattage (W)	3
Operation Mode	Non-maintained Only
Operating Temperature (°C)	0 to +40
Maximum Critical Temperature (°C)	+70

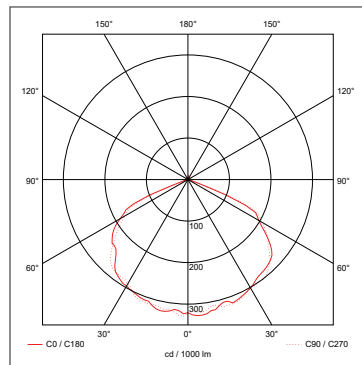
Compatible Accessories

- OEI3CP-W - 3W Emergency Downlight Adapter Plate - White
- OEI3CP-B - 3W Emergency Downlight Adapter Plate - Black
- OEB3215L - 3.2V 1500mAh Lithium (LiFePO4) Battery

Escape Route 1 lux min

Mounting Height	Axial/Wall	Axial/Axial	Transverse/Axial	Transverse/Transverse	Transverse/Wall
2.0m	2.5	5	5	5	2.5
2.5m	2.7	5.4	5.4	5.4	2.7
3.0m	2.8	5.5	5.5	5.5	2.8

Illuminance values based on a maintenance factor of 0.8
Photometric spacing data 1 Lux (centre to centre in metres on emergency escape routes)



Emergency (DC)



OVIA Limited, Scolmore House, Mariner, Lichfield Road Industrial Estate,
Tamworth, Staffordshire, B79 7UL United Kingdom
T: +44 (0)1827 300640
E: sales@oviaUK.com | W: oviaUK.com



Catalogue



Section



DoC



Installation

