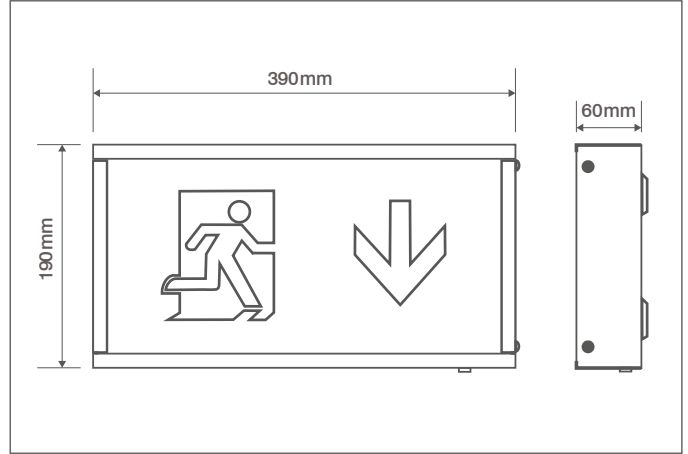


Description: 4W Emergency LED Maintained Self-Test Box Exit Sign Down



General Information

Dimensions (mm)	390 (W) x 60 (D) x 190 (H)
Materials	Housing: Powder Coated Steel; Sign: Acrylic
Colour	White
Product Weight (Kg)	1.5
Ingress Protection	IP20
Self-Test Facility	Yes
Warranty (Years)	5

Supply & Power Information

Continuous Operating Voltage (AC) (Hz)	220-240 (50/60)
Safety Class	1
Circuit Wattage (W)	4
Operation Mode	Maintained or Non-maintained
Cable Entry	2 x Ø20mm Knockouts
Operating Temperature (°C)	0 to +40
Maximum Critical Temperature (°C)	+70

Luminaire Output

Colour Temperature (K)	5500
Typical Luminous Flux (lm)	45
Beam Angle (°)	100
Viewing Distance (M)	34
LED Lifetime (L70) (Hours)	30000

Emergency Backup Information

Self-Test Facility	Yes
Emergency Luminous Flux (lm)	40
Battery Specification	3.2V 1500mAh Lithium (LiFePO4) Battery
Minimum Duration (Hours)	3

Compatible Accessories

OEB3215L - 3.2V 1500mAh Lithium (LiFePO4) Battery



OVIA Limited, Scolmore House, Mariner, Lichfield Road Industrial Estate,
 Tamworth, Staffordshire, B79 7UL United Kingdom
 T: +44 (0)1827 300640
 E: sales@oviaUK.com | W: oviaUK.com



Catalogue



Section



DoC



Installation

