

DENVER (DN)



IP65 aluminium 70W and 140W LED floods.

APPLICATIONS

- General purpose floodlighting
- Industry and warehouses
- Situations where maintenance is expensive or impractical
- Cold stores to -40°C

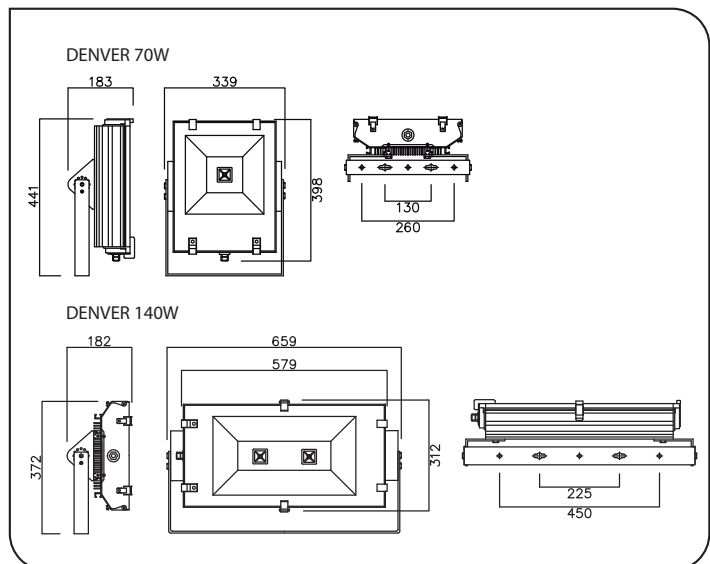
SPECIFICATION

- LED 70W & 140W with integral driver
- Mounting bracket allows flexible installation
- Guaranteed for 2 years from date of installation
- Suitable for 110v and 230v operation
- Suitable for use to -40°C

CONSTRUCTION

- Aluminium extruded body with diecast end caps
- Toughened glass cover fully sealed and tamper proof
- Pre-wired with 10m of 3 x 1.5mm HO7 flex

	Weight	Windage:
70W	7.40kg	0.13m ²
140W	11.2kg	0.18m ²



ORDER CODE	DESCRIPTION
NDN/70/LED/757	DENVER 70W LED FLOOD
NDN/140/LED/757	DENVER 140W LED FLOOD

LED v Metal Halide - How do they compare?

DENVER 70W light output is similar to 150W metal halide.
DENVER 140W light output is similar to 250W metal halide.
For more detail, please consult your NVC sales engineer.