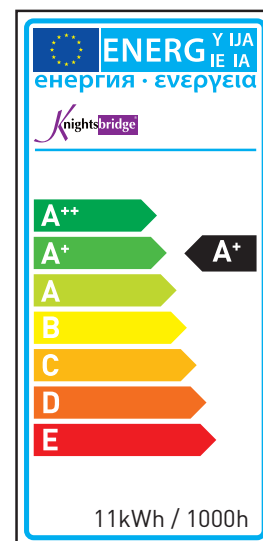
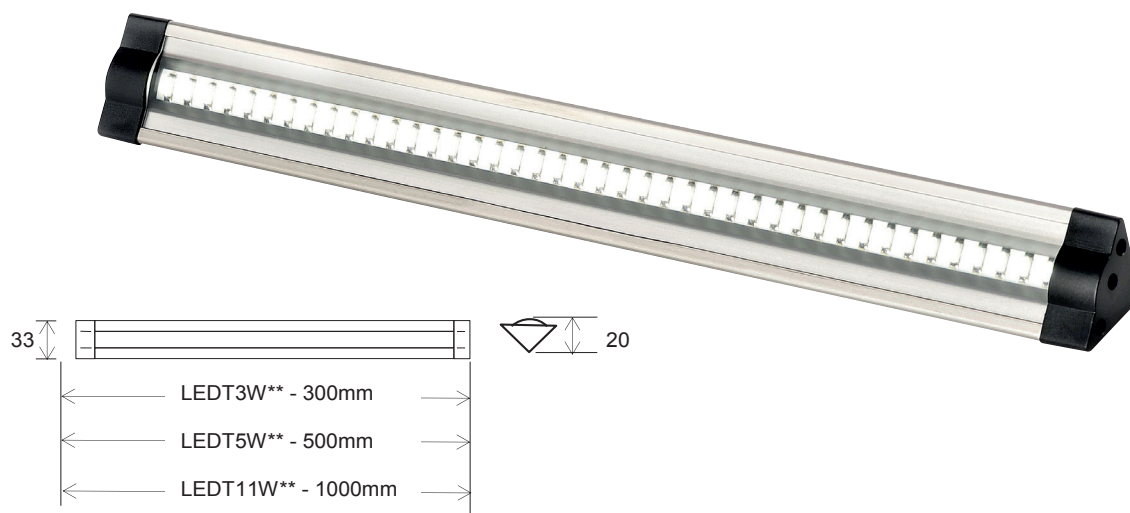


DATA SHEET: LEDT11 SERIES

Linear Triangular LED Strip Light



MLA part code:	LEDT11WWW	LEDT11WCW	LEDT11WR	LEDT11WG	LEDT11WB
Description:	Linear Triangular LED Strip Lights				
Weight	0.55kg				
Wattage (W):	11				
Lumens:	920	920	n/a	n/a	n/a
Lumens per watt:	83	83	n/a	n/a	n/a
Beam angle:	90°				
Overall dimensions (mm):	33 (h) 1000 (l)				
CCT:	3000K 6000K				
LED colours:	Warm White	Cool White	Red	Green	Blue
LED type:	SMD				
Running current (I):	0.018A				
Input voltage:	24V DC				
Construction:	Extruded aluminium body polycarbonate end caps				
Driver required:	Yes 24V Constant Voltage				
Class:	Class III				
IP rating:	IP20				
Warranty:	1 Year				
Supplied with:	LEDTCLIP x 2, LEDTCON x 1, LED100 x 1				
Photometric data:	No				
Dimmable:	Yes with LEDIMMER (not supplied)				
Instruction sheet:	Yes				
Origin of manufacture:	China				
Quality assurance system:	ISO9001				
Declaration of conformity (held on file):	Yes				
Manufactured & accordance with:	EN60598				

