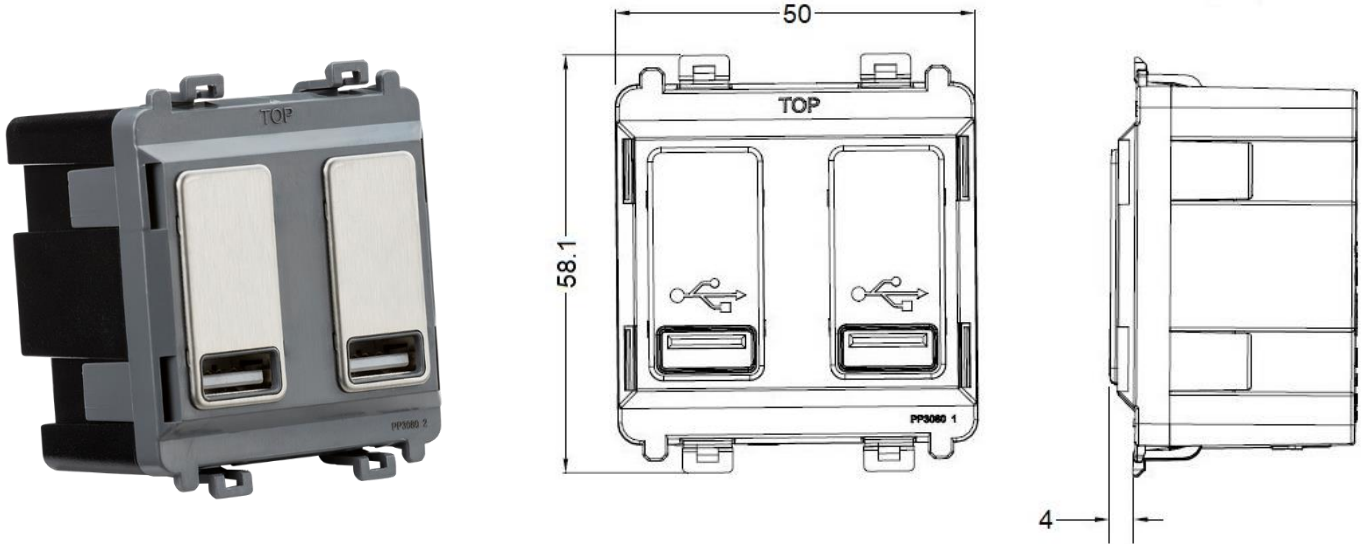


## DATA SHEET:

GDM016BC/ GDM016MW/ GDM016PC/ GDM016U/ GDM016MB

ISSUE: AV0CT19VOL3

### Dual USB charger module (requires 2 x grid positions)



MLA part code	GDM016BC	GDM016MW	GDM016PC	GDM016U	GDM016MB
Description	Dual USB charger module				
Finish	Brushed chrome	Matt white	Polished chrome	White	Matt black
Nett weight (kg)	0.056				
Dimensions (mm)	Width – 50 Height – 58.1 Projection – 4				
Input voltage	Mains 230V 50Hz				
Min. mounting depth (mm)	35				
USB output	5V DC 2.4A (shared)				
IP rating	IP20				
Terminal capacity	3 x 2.5mm				
Construction	Steel & ABS				
Warranty	3 years				
Origin of Manufacture	China				
Declaration of Conformity (held on file)	Yes				
Manufactured in accordance with	BS EN 60950-1				
EAN	5055832964049	5055832964056	5055832964063	5055832964070	5056270801606