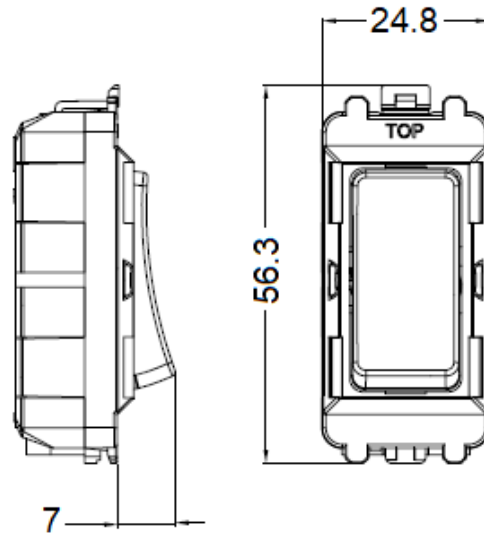


20AX DP module with LED indicator



MLA part code	GDM003BC	GDM003MW	GDM003PC	GDM003U	GDM003MB
Description	20AX double pole module with LED indicator				
Finish	Brushed chrome	Matt white	Polished chrome	White	Matt black
Nett weight (kg)	0.027				
Dimensions (mm)	Width – 24.8 Height – 56.3 Projection – 7				
Input voltage	Mains 230V 50Hz				
Min. mounting depth (mm)	35				
Maximum load (A)	20AX				
IP rating	IP20				
Terminal capacity	3 x 2.5mm or 2 x 4mm				
Construction	Steel & ABS				
Warranty	15 years				
Origin of Manufacture	China				
Declaration of Conformity (held on file)	Yes				
Manufactured in accordance with	BS EN 60669-1				
EAN	5055832963516	5055832963523	5055832963530	5055832963547	5056270800784