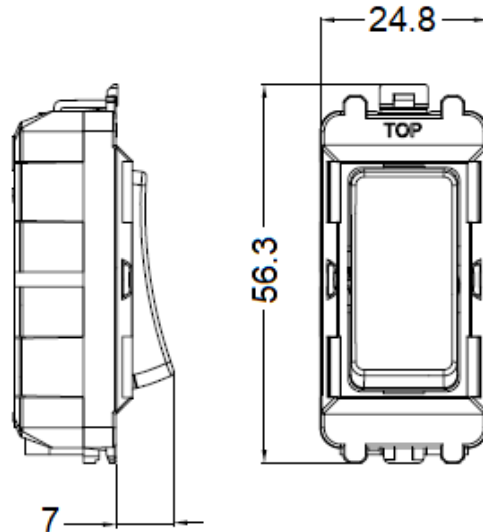


20AX DP grid module



MLA part code	GDM002BC	GDM002MW	GDM002PC	GDM002U	GDM002MB
Description	20AX double pole grid module				
Finish	Brushed chrome	Matt white	Polished chrome	White	Matt black
Nett weight (kg)	0.027				
Dimensions (mm)	Width – 24.8 Height – 56.3 Projection – 7				
Input voltage	Mains 230V 50Hz				
Min. mounting depth (mm)	35				
Maximum load (A)	20AX				
IP rating	IP20				
Terminal capacity	3 x 2.5mm or 2 x 4mm				
Construction	Steel & ABS				
Warranty	15 years				
Origin of Manufacture	China				
Declaration of Conformity (held on file)	Yes				
Manufactured in accordance with	BS EN 60669-1				
EAN	5055832963479	5055832963486	5055832963493	5055832963509	5056270801095