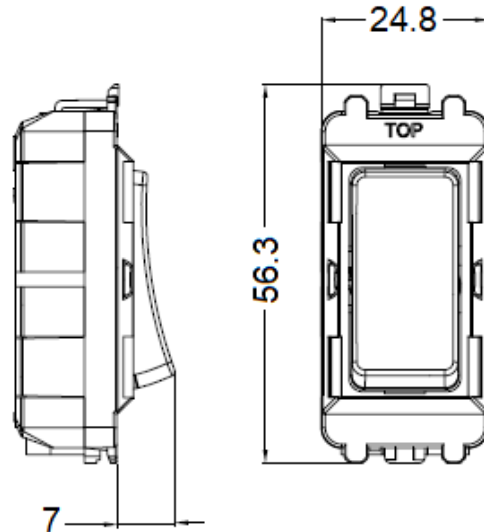


## 20AX 2-way SP grid module



| MLA part code                            | GDM001BC  | GDM001MW      | GDM001PC        | GDM001U       | GDM001MB      |
|--|---|---------------|-----------------|---------------|---------------|
| Description                              | 20AX 2-way single pole grid module              |               |                 |               |               |
| Finish                                   | Brushed chrome                                  | Matt white    | Polished chrome | White         | Matt black    |
| Nett weight (kg)                         | 0.027   |               |                 |               |               |
| Dimensions (mm)                          | Width – 24.8<br>Height – 56.3<br>Projection – 7 |               |                 |               |               |
| Input voltage                            | Mains 230V 50Hz                                 |               |                 |               |               |
| Min. mounting depth (mm)                 | 35  |               |                 |               |               |
| Maximum load (A)                         | 20AX  |               |                 |               |               |
| IP rating                                | IP20  |               |                 |               |               |
| Terminal capacity                        | 3 x 1.5mm or 2 x 2.5mm                          |               |                 |               |               |
| Construction                             | Steel & ABS                                     |               |                 |               |               |
| Warranty                                 | 15 years  |               |                 |               |               |
| Origin of Manufacture                    | China   |               |                 |               |               |
| Declaration of Conformity (held on file) | Yes   |               |                 |               |               |
| Manufactured in accordance with          | BS EN 60669-1                                   |               |                 |               |               |
| EAN                                      | 5055832963431                                   | 5055832963448 | 5055832963455   | 5055832963462 | 5056270801064 |