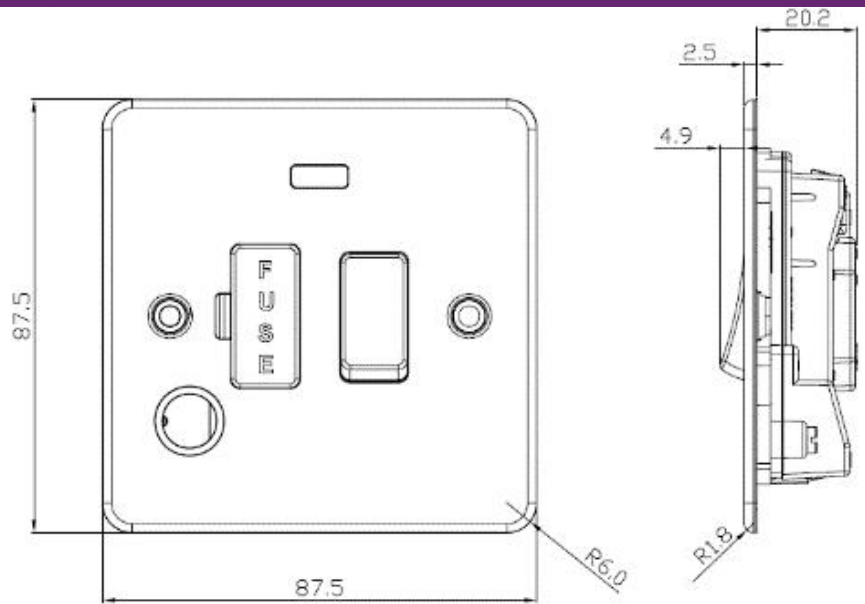


DATA SHEET:

Flat Plate 13A switched spur neon and flex outlet



Fused spur units or connection units are an electrical switch with a built in fuse, designed for appliances that do not have or require a fused plug top. Fused spur units are also used for high powered electrical equipment with heavy continuous load, so that the appliance can be isolated by a single cable from a ring main for safety and maintenance purposes. 13A rated available with and without a double pole switch, neon and flex outlet.

Model No.	FP6300FBB	FP6300FBC	FP6300FGM	FP6300FPB	FP6300FPC	FP6300FPL
Description	Flat Plate 13A Switched fused spur unit with neon and flex outlet					
Finish	Brushed Brass	Brushed Chrome	Gun Metal	Polished Brass	Polished Chrome	Pearl
Dimensions (mm)	Height – 87.5 Width – 87.5 Projection – 2.5					
Weight (kg)	0.21					
Min. mounting depth	25mm					
Voltage	230V					
Load	10A					
IP Rating	IP20					
Terminal capacity	3 x 2.5mm ² or 2 x 4mm ²					
Standard	BS 1363					
Warranty	15 years					
Construction	Premium grade steel					
Origin of manufacture	China					
Declaration of Conformity (held on file)	Yes					
EAN	5055832918035	5055832918042	5055832918059	5055832918066	5055832918073	5055832918080

