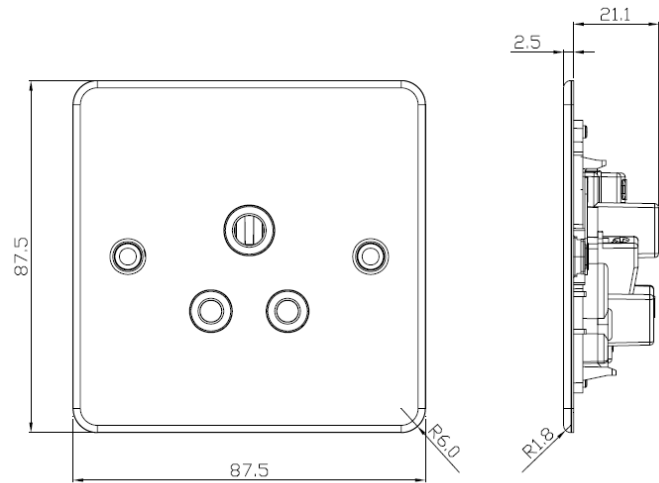


Flat plate 5A unswitched round socket



MLA Part number	FP5ABB	FP5ABC	FP5ABCG	FP5ABCW	FP5AGM
Description	Flat Plate 5A unswitched socket				
Dimensions (mm)	Height – 87.5 Width - 87.5 Projection – 2.5				
Net. Weight (kg)	0.08				
Min mounting box depth	25mm				
Voltage	230V				
Load	5A				
IP rating	IP20				
Terminal capacity	2 x 1.0mm ² or 2 x 1.5mm ²				
Standard	BS 546				
Warranty	15 year				
Construction	Premium grade steel				
Origin of manufacture	China				
Manufactured in accordance with	BS 546				
Declaration of Conformity (held on file)	Yes				
EAN	5055832909415	5055832912163	5055832960300	5055832913788	5055832917342

