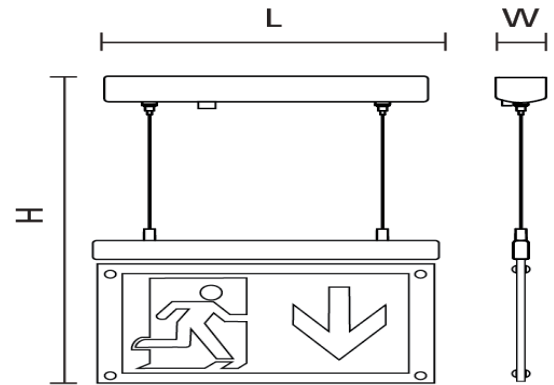


Emergency

Fontburn Emergency Exit Sign 3W 6000K Hanging Self Test - White



- LiFePO4 battery
- Polycarbonate body with printed legend
- Maintained



General Data

Technology	LED
Mounting options	Ceiling Wall
Install Options	20mm Cut Out
Electrical Connector Type	Push fit terminal
Input Cable	0.75-2.5mm ²
Input Electrical Connection	Neutral P Live
General Application	Commercial Industrial Educational
Operating Temperature Range °C	0 - +30
Warranty (Years)	5

421311

Technical Specification

Optical Data

LED Manufacturer / Type	Everlight
Fixture Luminous Flux (Lm)	39
Luminaire Efficacy @6000K (lm/W)	39
LOR %	100
Photobiological Risk Group	RG0

Light Source Data

Colour Temperature (K)	6000
Light Colour	Daylight
CRI Ra	70

Electrical Data

Wattage (W)	3
Total Power Consumption (W)	3
Mains voltage (V)	220 - 240
Lamp power factor	0.8
Electrical protection	Class II
Driver Output (V)	2.5-4
Control Gear Type CC or CV	Constant Current
Driver Brand	Luminaireux
Nominal Frequency (Hz)	50/60

Lifetime Data

Lifespan L70 B50 @25°C (Hrs)	50000
------------------------------	-------

421311

Technical Specification

Emergency Data

Battery Type	LiFeP04
Battery Capacity (mAh)	1500mAh
Battery Warranty (Years)	2
Recharge Time (Hours)	24 Hours
Emergency Type	Maintained
Test Procedure	Self Test
Emergency Duration (Hours)	3
Emergency Output	39

Physical Data

Housing colour	White RAL 9016
Body material	Polycarbonate
IP Rating	20
Diffuser Material	Polycarbonate
Nominal Product Length (mm)	300
Nominal Product Width (mm)	45
Nominal Product Height (mm)	700
Weight (kg)	0.98

Standards and Approvals

Manufactured In Accordance To	EN 60598-1 EN60598-2-22
CE Mark	Yes
UKCA Mark	Yes
WEEE Symbol	Yes
Certificate Of Conformity	Available on Request
Accredited Members	LIA, ISO9001

421311

Technical Specification

