

Data Sheet

10W LED Flood Light

Version	V2.1
File Name	Data_KLED_10w(KLED10FLD_W)_2011-V2.1.doc
Location	[Root]/Datasheet/LED/Flood Light

CONTENTS

CONTENTS	1
Photograph.....	2
Product Code Format.....	2
Features	2
Specifications	3
Lumen Output Vs. Temperature	4
Lumen Maintenance.....	4
Photometrics	5
Line Drawing	5
Packaging	6

History

Version	Date	Comment	Written By	Review By
V2.1	2011-12-01	First Release	Y. Jiang	W. Kuang

Authorised By	
Position	
Signature	

10W LED Flood Light

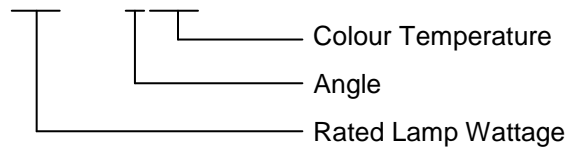
KLED10FLD/W30 KLED10FLD/W60

Photograph



Product Code Format

KLED□□FLD/□□□



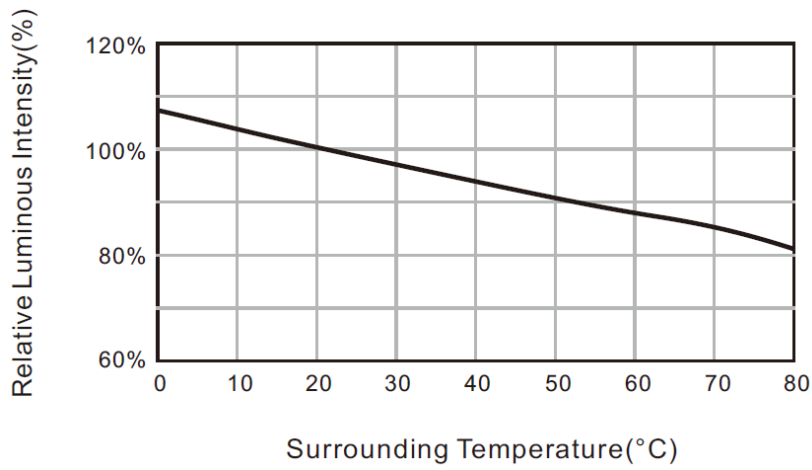
Features

- Save energy up to 90% comparing with halogen flood light.
- Long Life of 40000h, 25 times longer than halogen flood light.
- Instant start.
- Not dimmable.
- No UV output.
- IP65.
- LED driver included.
- Aluminum housing for better heat dissipation.
- High lumen efficiency.

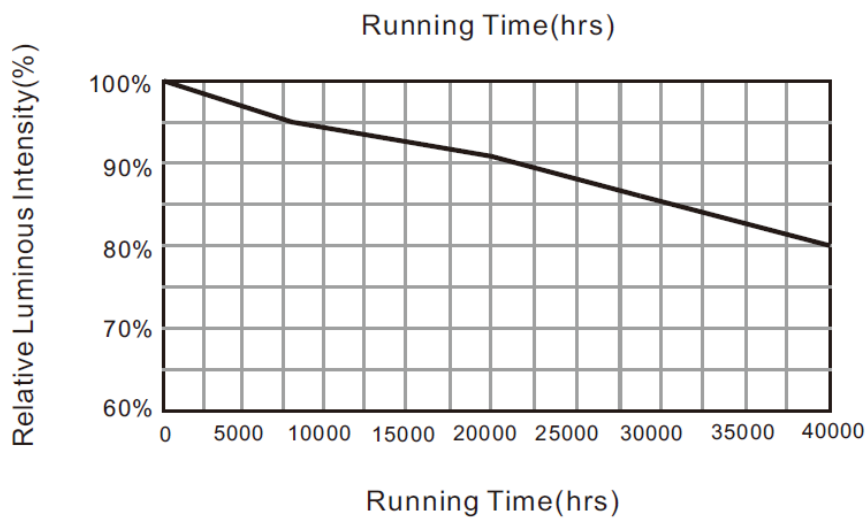
Specifications

Rated Lamp Wattage	10W	Peak Candelas	270cd (3000K)
Equ. Watt	100W		300cd (6000K)
Voltage	220-240V	Finishing	Black,Gray
Line Frequency	50/60Hz	IP Rating	IP65
Input Current	100mA	Ambient Temperature	-20°C to 40°C
Quantity of LED(pcs)	1	LED Chip	Epistar
Dimmable	No	Length	115
Beam Angle	110°	Width	87
Life to 50% failure	40000hr	Height	105
Color Temperature	3000K/6000K	Packaging type	Colour Box
CRI	76Ra	Qty per mid-Carton	1
Lamp Luminous Flux	550lm (3000K)	Qty per Carton	18
	575lm (6000K)	Net weight Per piece	700g
Lumen maintenance 8000h	95%	Gross Weight per Carton	16kg
Lumen maintenance 40000h	80%		

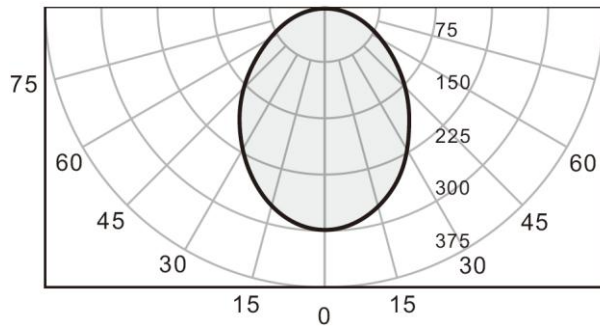
Lumen Output Vs. Temperature



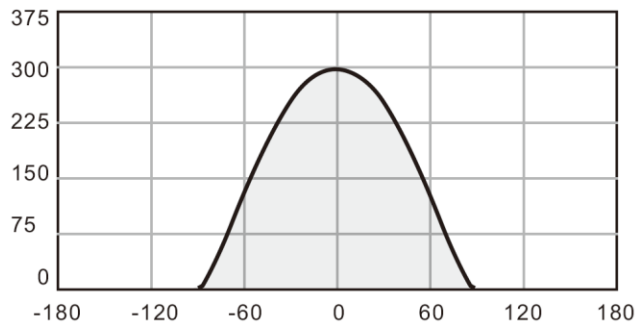
Lumen Maintenance



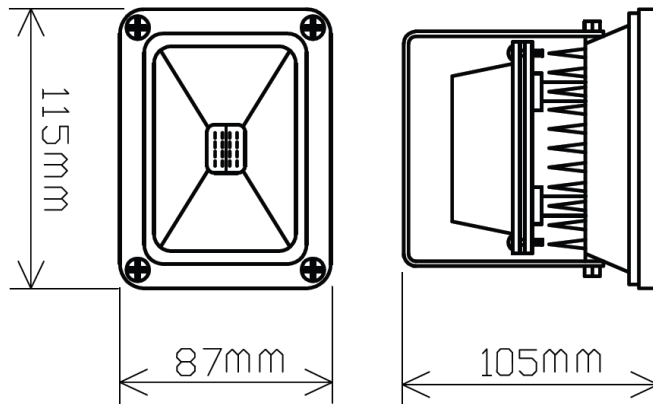
Photometrics



m	Beam Angle: 110°	Lux	∅cm
0.5		1132	106
1.0		283	212
2.0		71	424
3.0		31	636



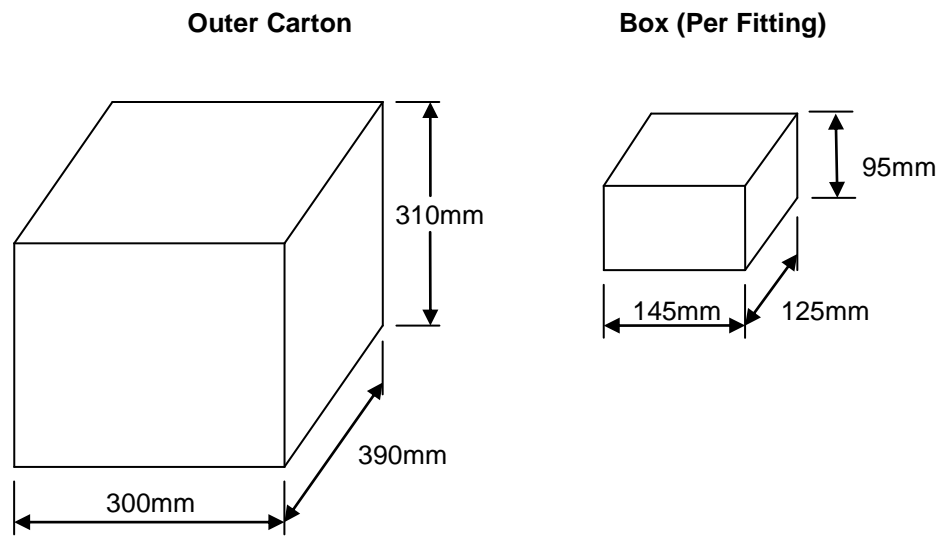
Line Drawing



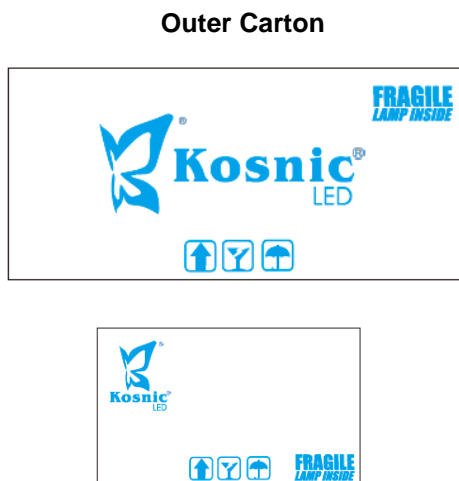
Packaging

- 1 unit per box.
- 18 units per outer carton.

Dimension



Mark



Label

Outer Carton

Kosnic	LED FLOOD Light
Product Code	KLED10FLD/W30
Picking Code	
Box Qty	18
Gross Weight	16kg
Dimension	300*390*310mm
Description	10W,3000K