

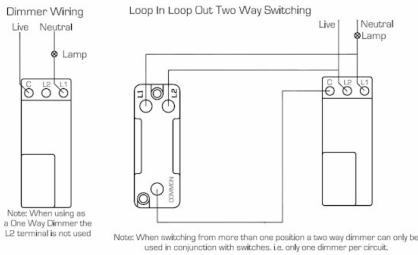
Code: 7CBC1X60

Hartland CFX | HARTLAND CFX RANGE | Resistive Leading Edge Push On/Off Rotary 2 Way Switching Dimmers

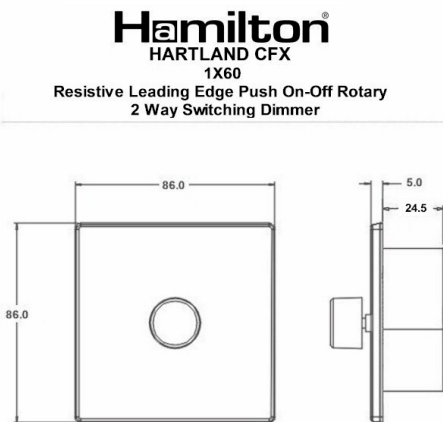
Product Image



Wiring



Dimensions



Insert Type

1 gang 600W Resistive Leading Edge Push On/Off Rotary 2 Way Switching Dimmer

Insert Colour

Copper Bronze

EAN13 Barcode

5017504010485

Commodity Code

85365015

Luckins TSI

398267474

Dimensions(Nominal)

Single: Height = 86.0mm Width = 86.0mm Depth = 5.0mm

Fixing Hole Centres

Box Fixing = 60.3mm Grid Fixing = CFX Clips

Switched Poles

Single

Current Rating

2.5 Amp

Voltage

220/250V AC

Maximum Load

600W resistive Min Load 100W

Mains Frequency

50Hz

IP Rating

IP2XD

Contact Gap Minimum

N/A

Terminal Capacity 1

2x1mm²

Terminal Capacity 2

2x1.5mm²

Earth Terminal Capacity 1

5x1mm²

Earth Terminal Capacity 2

4 x 1.5mm²

Earth Terminal Capacity 3

3 x 2.5mm²

Earth Terminal Capacity 4

1 x 4mm² Multi-strand

Earth Terminal Capacity 5

1 x 6mm²

Product Class 1

Face plate must be earthed

Ambient Operating Temperature

-5° to +40°C

Recommended Location

Internal Use Only

Maximum Installation Altitude

2000m

Standard/Approval

BS EN 60669-2-1

Additional Notes

Tungsten filament GU10 lamps must be branded with a fuse base. When using mains voltage halogen lamps- dimmers should be de-rated by 25%. When dimming LED lamps de-rated by 75% - please contact our Technical for compatibility.