

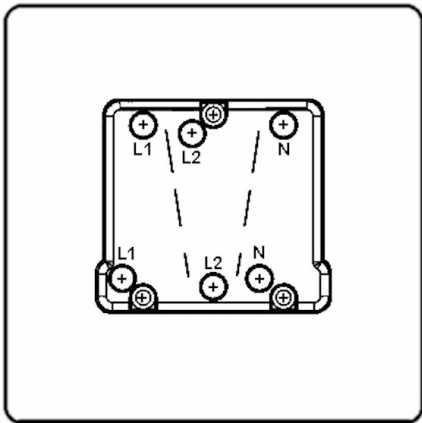
Code: 79TPBL-B

Hartland | HARTLAND RANGE | Rocker Switches

Product Image

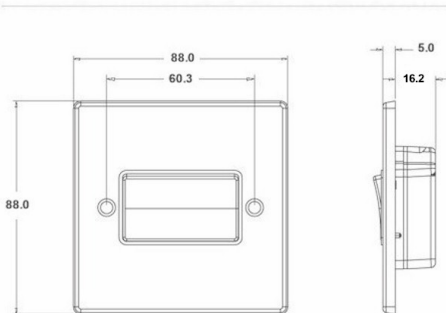


Wiring



Dimensions

Hamilton®
HARTLAND
TP
Triple Pole Rocker



| | |
|--------------------------------------|------------------------------------------------------|
| Insert Type | 1 gang 10A Triple Pole Rocker |
| Insert Colour | Black/Black |
| EAN13 Barcode | 5017503291502 |
| Commodity Code | 85363010 |
| Luckins TSI | 386903986 |
| Dimensions(Nominal) | Single: Height = 88.0mm Width = 88.0mm Depth = 5.0mm |
| Weight | 120 GR |
| Switched Poles | Triple |
| Current Rating | 10A |
| Voltage | 220/250V AC |
| Maximum Load | 10 Amp resistive |
| Mains Frequency | 50Hz |
| IP Rating | IP2XD |
| Contact Gap Minimum | 3mm |
| Terminal Capacity 1 | 5 x1mm ² |
| Terminal Capacity 2 | 4x1.5mm ² |
| Terminal Capacity 3 | 1x2.5mm ² |
| Terminal Capacity 4 | 1x4mm ² Multi-strand |
| Terminal Capacity 5 | 1x6mm ² |
| Earth Terminal Capacity 1 | 5x1mm ² |
| Earth Terminal Capacity 2 | 4x1.5mm ² |
| Earth Terminal Capacity 3 | 3 x2.5mm ² |
| Earth Terminal Capacity 4 | 1x4mm ² Multi-strand |
| Earth Terminal Capacity 5 | 1x6mm ² |
| Product Class 1 | Must be earthed |
| Ambient Operating Temperature | -5° to +40°C |
| Recommended Location | Internal Use Only |
| Maximum Installation Altitude | 2000m |
| Standard/Approval | BS EN 60669-1 |

R Hamilton & Co Ltd, Unit 10 Carrick Business Centre,
4-5 Bonville Road, Brislington, Bristol, BS4 5NZ

T: +44 (0)1747 860088

E: info@hamilton-litestat.com | W: www.hamilton-litestat.com

All accessories are manufactured under an accredited BS EN ISO 9001:2015 Quality Management System. It is the policy of the company to improve products as part of our development programme. Therefore, we reserve the right to alter designs and dimensions without prior notice. Illustrations and diagrams are reproduced within the limitations of reproduction and printing process and are not binding. Due to manufacturing processes we cannot guarantee an exact colour match and shadings of certain finishes. This datasheet was generated on 2/24/2023 3:08:40 PM E&OE