

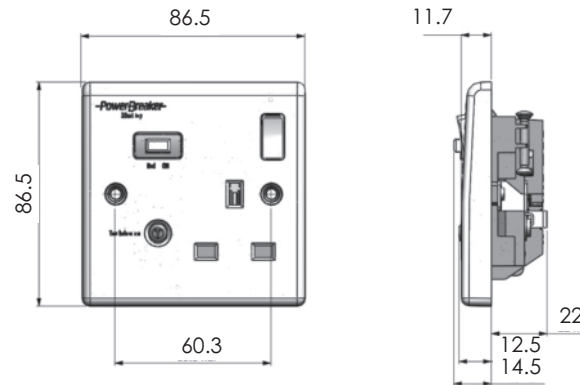
RCD SOCKETS ACTIVE - SWITCHED 30MA

The K range RCD switched sockets are available in single or twin outlets, with mechanical latching. These sockets replace standard sockets to provide added protection against electrocution in commercial, domestic and industrial environments.

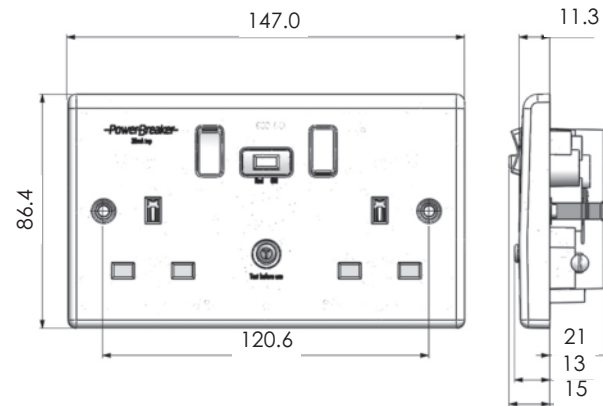
- Electrical latching - Needs to be reset after power failure
- High intensity LED power on indicator
- Individually switched socket outputs
- Twin sockets fitted with twin earth terminals



K21WPAAN-C



K22WPAAN-C



	K21WPAAN-C	K22WPAAN-C
Product Finish	White	White
Product Dimensions	86.5 x 86.5 x 11.7mm	147 x 86.4 x 11.3mm
Product weight	152.5g	236.5g
Barcode	5012739 643163	5012739 643125
Voltage	230V AC 50Hz	230V AC 50Hz
Max Operating Current	13A (13A inductive)	13A (13A inductive)
Rated Trip Current	30mA	30mA
Typical Trip Speed	Less than 20mS (typical)	Less than 20mS (typical)
RCD Contact break	Double Pole	Double Pole
Latching	Electrical, needs to be reset after power failure (Active)	Electrical, needs to be reset after power failure (Active)
Responsive to	Pulsating DC earth faults	Pulsating DC earth faults
Main housing material	Polycarbonate	Polycarbonate
Guarantee	1 Year	1 Year
Conforms to	BS 7288:1990 Amd 1, BS 1363-2:1995 Amd 1-3	BS 7288:1990 Amd 1, BS 1363-2:1995 Amd 1-3
EMC Emissions	EN 55014-1:2006 & EN 55014-1:2000 inc A1:2001 & A2:2002	EN 55014-1:2006 & EN 55014-1:2000 inc A1:2001 & A2:2002
EMC Immunity	EN 61543:1995 inc A11:2003, A12:2005 & A2:2006	EN 61543:1995 inc A11:2003, A12:2005 & A2:2006