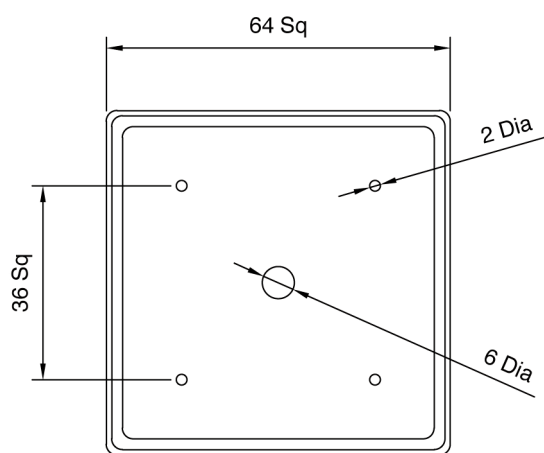


## ⚠ Important Safety Notice ⚠

It is the responsibility of the person installing the electrical equipment to ensure that the installation meets the requirements of the IET wiring regulations and is therefore 'fit for purpose'. Factors such as correct selection of components, cable sizing, protective devices and Earth bonding are all critical and should be checked prior to full testing and power-up. Any other regulations applicable to the equipment being installed such as the Machinery Directive and current health and safety legislation must also be adhered to. Terminals, including factory fitted, should be checked periodically to ensure correct tightness.



All dimensions in mm



## Procedure for fitting the LBGASKET

- 1 If retro fitting the gasket, remove the mounting plate.
- 2 Place the gasket into position at the back of the mounting plate as shown.
- 3 Push the gasket firmly into position making sure it is fitted securely.

