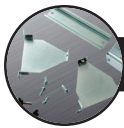
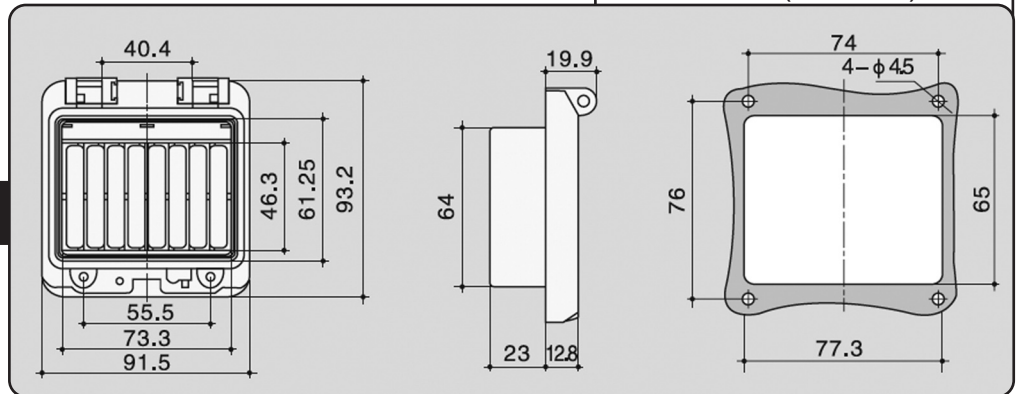


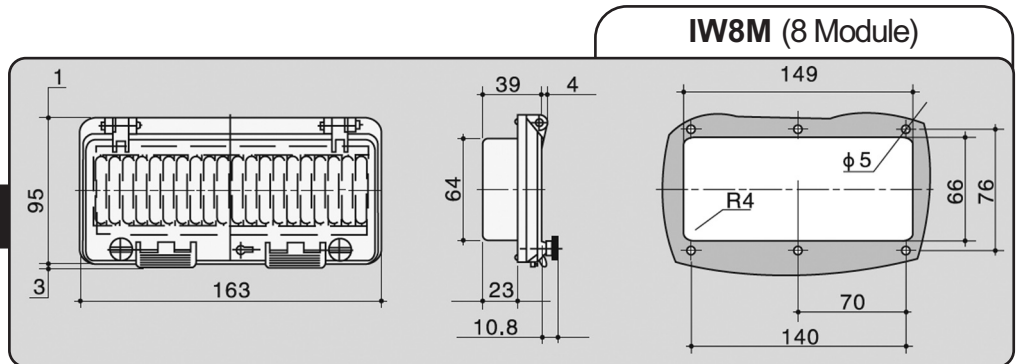
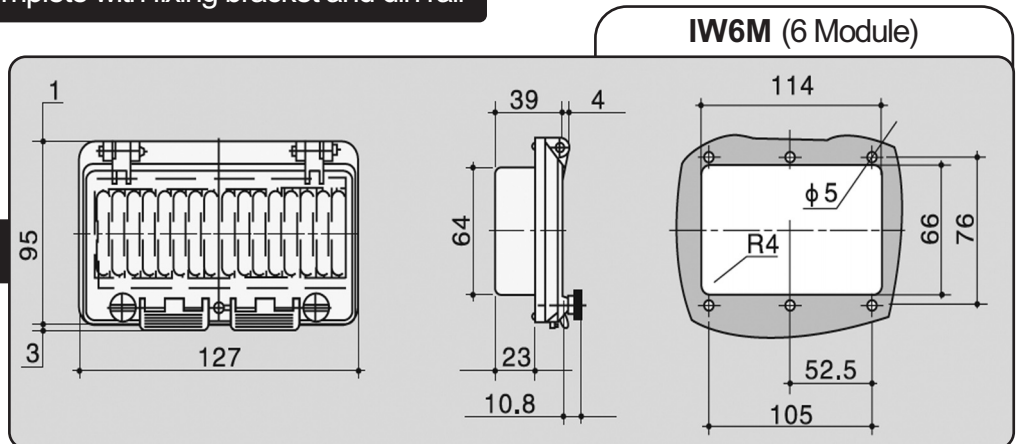
The polycarbonate weatherproof inspection window offers IP67 protection when fitted correctly. (IEC 60529 / EN 60309). Available in 4, 6, 8, or 12 module options the inspection window is a quick easy way to upgrade a wide variety of enclosures. Supplied complete with fixing bracket and din rail to take standard modular components such as MCBs, fuse holders and time clocks.

IP67 Inspection Windows

Data Sheet



All supplied complete with fixing bracket and din rail



Overall depth on all units (inc. fixings) 75mm

