

This document must be retained for future reference.

It is the responsibility of the person installing the electrical equipment to ensure that the installation meets the requirements of the IET wiring regulations and is therefore 'fit for purpose'. Factors such as correct selection of components, cable sizing, protective devices and Earth bonding are all critical and should be checked prior to full testing and power-up. Any other regulations applicable to the equipment being installed such as the Machinery Directive and current health and safety legislation must also be adhered to.

All connections (including factory made) must be checked for the correct tightness prior to commissioning of the electrical installation. All connections should also be inspected periodically to ensure correct tightness.

DO NOT USE POWER TOOLS ON THESE PRODUCTS

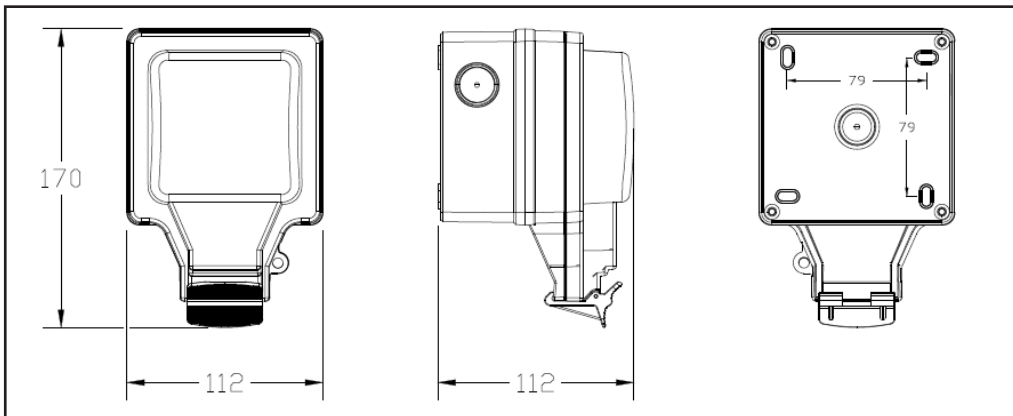


## ECWSK1GB | ECWSK2GB

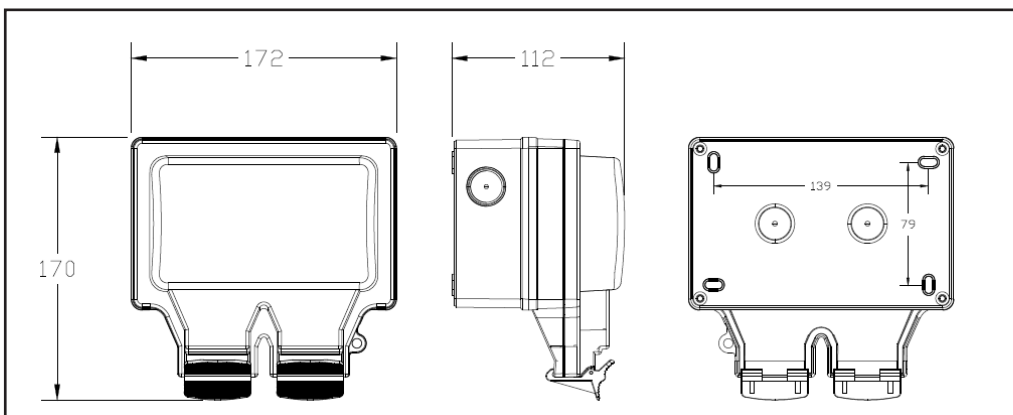
- IP66 Rating
- Outdoor Gang Boxes
- Grey Enclosure
- Smoked Finished Cover
- Corrosion Resistant
- Pad Lockable for Added Security
- Accommodates Standard Socket, Spur, Switches & RCDs
- 20mm Knock-outs located top, bottom, side and back



### ECWSK1GB



### ECWSK2GB



**Please Note:** Dimensions provided are for guidance purposes only