

Unglazed Incandescent Bulb Wall Fittings

INSTRUCTION MANUAL

Assembly/ User Instructions

Please read these instructions carefully before fitting your new light and retain for reference.

For Indoor use only

This pack contains:

- 1 x Unglazed Light Fitting
- 2 x Screws, 2x wall plugs
- 1 x 2-way Terminal Block (in a box)
- 1 x Energy Saving Equivalent bulb if appropriate

Tools required:

- Drill & assorted drill bits
- Safety glasses
- Small electrical screw driver
- Medium cross head screwdriver
- Medium flat head screwdriver
- Small Pliers with wire stripper

Safety Warnings

If in doubt we recommend you contact a qualified electrician. Before installing your light fitting always: Switch off the mains supply and remove the appropriate fuse or switch off the appropriate circuit breaker before commencing installation.

Ensure that no one else has access that would enable the supply to be inadvertently reconnected.

This product is only suitable for connection to 240V~50Hz supply in accordance with Part P, UK Building Regulations and current IEE Wiring Regulations, **Indoor** use only and is not suitable for a Bathroom location.

The light fitting should be connected to a lighting circuit protected by a 5 amp fuse (or a 6 amp miniature circuit breaker).

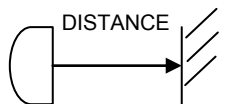
If the Class II, Double Insulated symbol  is on the Light Fitting then the Fitting does not require an Earth and Live or Neutral must not be connected to Earth.

If any modification is made it will invalidate the warranty and may render the product unsafe.

This type of Light Fitting may be connected to a Dimmer but seek advice before purchase. Not Energy Saving Equivalent bulbs.

If there is a "Minimum Distance" Label, please do not allow Flammable Materials to rest within that distance from the lamps.

Minimum Distance: This is the symbol which denotes this requirement.



Luminaires not suitable for direct mounting
On normally flammable surfaces(surface Mounted)



If the Light Fitting must not be mounted on combustible surfaces there will be the above symbol on it.

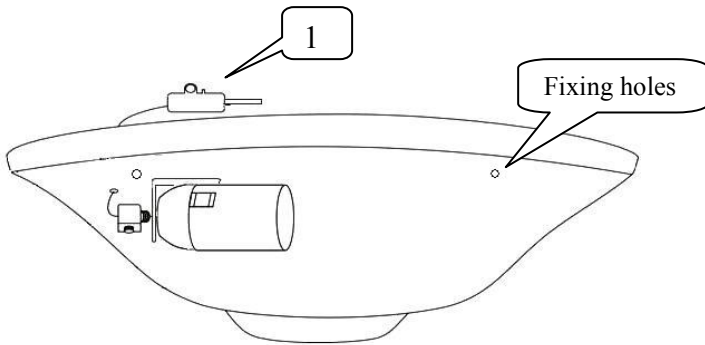
If there is no symbol then the Light Fitting may be mounted on any surface, including combustible ones.

Assembly/ User Instructions

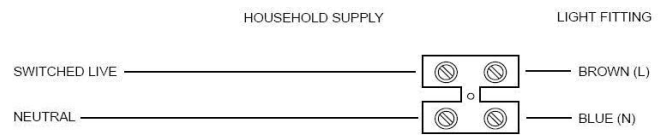
1. Remove existing light fitting. Ensure there is a solid mounting, preferably a brick or block wall. If the wall is timber frame and plasterboard construction then please use appropriate fixings for plasterboard or screw directly into the timber frame. Ensure the fixing can support the weight of the wall light.
2. Refer to diagram; the fitting body must be screwed to the wall on a horizontal line.
3. Use the fitting body as a template to mark the screw holes for your chosen location. Fit the plugs and partially screw in the mounting screws, remove to fix fitting later. Do not remove screws if fixing holes are "keyhole" shaped.

Assembly/ User Instructions continued

- Support your fitting and connect the house wiring according to the Terminal Block diagram. Open the box and pass the house wiring cable through the long grommet and connect to terminals. If there is an Earth wire, cut it short and do not connect to anything. Ensure no strands of wire escape the Terminal Block and close the box.
- Fix your fitting in position on the screws, ensuring no wires are damaged, trapped or left exposed. The terminal block box is intended to fit into the outside recess in the back of the fitting.
- Install the Bulb, do not install bulbs with a greater wattage or different shape than specified on the label. Energy saving replacement bulbs run much cooler so larger equivalent light outputs may be used.



Generic Diagram of inside



Terminal Block (1) in Box in Generic Diagram

Care Information

All Light Fittings for UK Market are designed for 240V ac, 50 Hz (220-240V ac)
Please retain these instructions for future reference.
Switch off and allow 10 minutes to cool before cleaning, use only dry cloth.



- EN Scan QR code for multi-language
- FR Scannez le code QR pour plusieurs langues
- ES Escanee el código QR para varios idiomas
- PL Zeskanuj kod QR dla wielu języków
- DE Scannen Sie den QR-Code nach mehreren Sprachen
- IT Scansiona il codice QR per multilingua