

# TITAN Metal Consumer Unit Datasheet

## Empty - 4 to 22 module



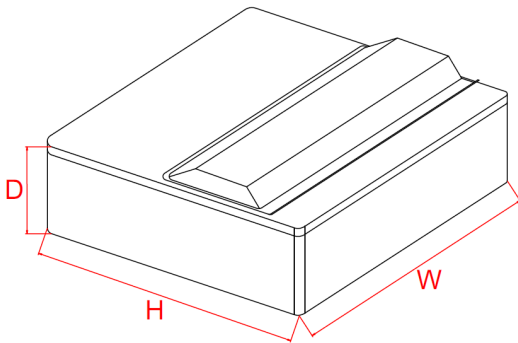
### CONSTRUCTION AND FEATURES:

- Steel construction
- Powder coated durable off white finish
- IP3X
- Multiple knockouts all around the unit (including rear face)
- Label and instruction sheet included
- Accessory pack
- BS7671 Amendment 3 - regulation 421.1.201 compliant
- Raised DIN rail, with tails clamp fitment holes
- Integrated spirit level
- Captive lid screws

### TECHNICAL DATA:

- Size options: 4, 6, 8, 10, 14, 18, 22 ways
- Compatible with:
  - ROSN, ROM RCBOs
  - MD, MC, MH MCBs
  - IS2100 Isolators
  - RC2 RCDs
  - Various SPDs
- Rated current: 100A
- 1 x Earthing: terminal bar (continuity to enclosure)
- 1 x Neutral terminal bar
- Busbar: 100A pin type
- Neutral cable: Insulated, copper braid, heat pressed ends
- Conforms to: BS EN 61439-3

### DIMENSIONAL INFORMATION:



Part No	No of spare ways	H (mm)	W (mm)	D (mm)
4 module	4	240	130	114
6 module	6	240	160	114
8 module	8	240	232	114
10 module	10	240	232	114
14 module	14	240	304	114
18 module	18	240	376	114
22 module	22	240	448	114

