



# Spectrum LED Emergency Downlight

## 3W Recessed Downlight (09030/1)

- Green charge indicator
- Complete with driver and fire rated sheathed battery pack
- Open Area/Corridor
- IP20
- 3W recessed



09030

09031



3W Open Area Recessed Downlight (09030) Spacing Table				
Open Area (0.5 lux minimum)				
Mounting Height (M)	Transverse To Wall	Transverse To Transverse	Axial To Wall	Axial To Wall
2.5	3	6	-	-
4	4.4	8.8	-	-
6	4.5	9	-	-

3W Corridor Recessed Downlight (09031) Spacing Table				
Escape Route (1 lux across central line)				
Mounting Height (M)	Transverse To Wall	Transverse To Transverse	Axial To Wall	Axial To Wall
2.5	5	10	-	-
4	7.4	14.8	-	-
6	-	-	-	-

## 5W Recessed Downlight (09032/3)

- Green charge indicator
- Complete with fire rated aluminum battery and driver
- Open Area/Corridor
- IP20
- 5W recessed Self Test as standard



09032

09033



**Auto Self Test Indicator. No requirement for manual key test.**

Normal operation: Green indicator illuminated

Battery failure: Red indicator flashes once every 3 seconds

Light source failure: Red indicator flashes twice every 3 seconds

Less than rated duration time: Red indicator flashes three times every 3 seconds

5W Open Area Recessed Downlight (09032) Spacing Table				
Open Area (0.5 lux minimum)				
Mounting Height (M)	Transverse To Wall	Transverse To Transverse	Axial To Wall	Axial To Wall
2.5	3.1	6.2	-	-
4	4.6	9.2	-	-
6	-	-	-	-

5W Corridor Recessed Downlight (09033) Spacing Table				
Escape Route (1 lux across central line)				
Mounting Height (M)	Transverse To Wall	Transverse To Transverse	Axial To Wall	Axial To Wall
2.5	6.3	12.6	-	-
4	9	18	-	-
6	-	-	-	-

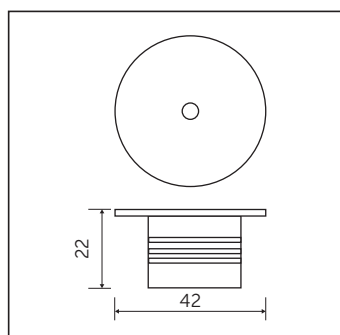


# Spectrum

## Technical Specification

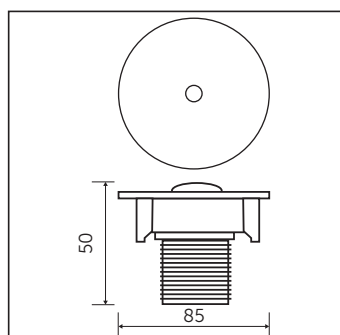
Data	
Construction	Polycarbonate
LED Chip	Samsung
IP Rating	IP20
Operating Temp	-5°C to +35°C
Input Voltage	220 - 240V
Power Factor	> 0.9

09030/09031 Downlight



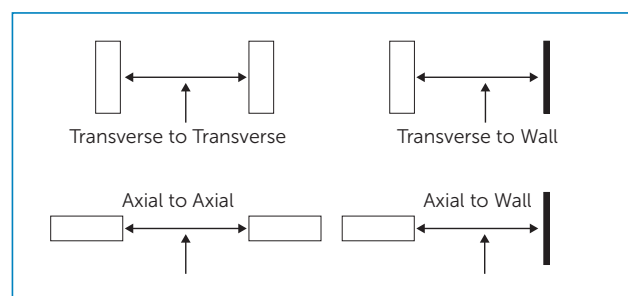
Cut Out:  $\varnothing 34\text{mm}$

09032/09033 Downlight



Cut Out:  $\varnothing 70\text{-}75\text{mm}$

Code	W	Description	Temp	lm	Hours
09030	3	LED Emergency Downlight Open Area. Non Maintained	6500K	121	25000
09031	3	LED Emergency Downlight Corridor. Non Maintained	6500K	66	25000
09032	5	LED Emergency Downlight Open Area. Non Maintained - Self Test	6500K	357	25000
09033	5	LED Emergency Downlight Corridor. Non Maintained - Self Test	6500K	282	25000



<sup>1</sup> Exceeds EU standard of 70 for Lumens Maintenance Ratio  
<sup>2</sup> Exceeds EU standard of Ra 80 for Colour Rendering Index  
<sup>3</sup> Subject to terms & conditions