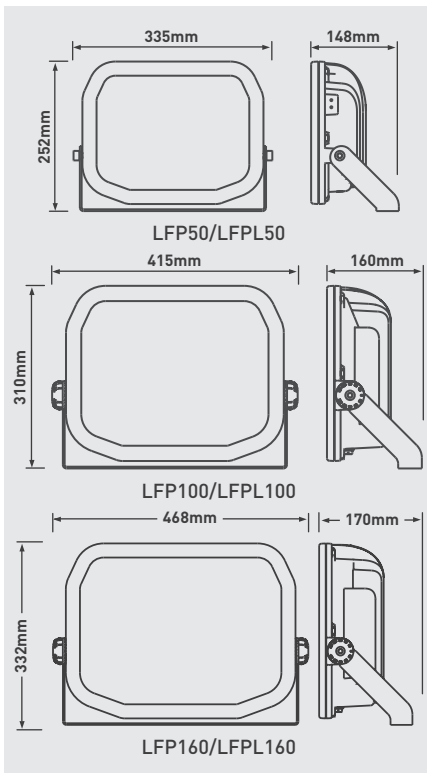


GUARDIAN PRO FLOODLIGHTS



- Horizontal mounting floodlight
- Maintenance free
- Pre-wired 1m of H05RN-F rubber cable
- "Fit and tilt" bracket for simple installation
- Tilt adjustment locks



4000K
NEUTRAL
WHITE

50,000
HOURS

GREY FINISH
RAL7021

BEAM ANGLE
63x120°

IP65
RATED

CAT NO.	DRIVER	LUMINAIRE LUMENS	WATTAGE	EFFICACY Llm/W
LFP50B140F	Standard	5200	50W	105
LFPL50B140F	Integrated Photocell	5200	50W	105
LFP100B140F	Standard	10500	100W	105
LFPL100B140F	Integrated Photocell	10500	100W	105
LFP160B140F	Standard	16000	155W	105
LFPL160B140F	Integrated Photocell	16000	155W	105

LFP EQUIVALENT WATTAGES TO HID

LFP	MBF	HQI/SON	SUGGEST MOUNT HT
LFP50	125W	70W	3 - 5m
LFP100	250W	150W	4 - 6m
LFP160	400W	250W	5 - 8m

NOTE - All figures are suggestions and it is recommended to have a full lighting design prepared to validate

	LENGTH / DIA (mm)	WIDTH (mm)	HEIGHT / DEPTH (mm)	WEIGHT (kg)	L FIXING CENTRES (mm)	W FIXING CENTRES (mm)	CEILING CUTOOUT (mm)	LUMINAIRE LUMENS (Llm)	LUMINAIRE WATTAGE (W)	EFFICACY (Llm/W)	CCT (K)	CRI	UGR	IP RATED	IK RATED	GLOW WIRE (°C)	RAL COLOUR	TEMP RANGE (°C)	RATED LIFE (HR)	AMBIENT TEMP. RATED LIFE (°C)	L AT RATED LIFE	B AT RATED LIFE	VOLTAGE RANGE	FREQUENCY	EMERGENCY PACK CODE	WARRANTY (YEARS)
LFP50B140F	335	252	148	4.5	N/A	N/A	N/A	5200	50	105	4000	>80	N/A	IP65	IK08	650	7021	-20 to +40	50,000	40	70	10	220-240V	50hz	N/A	5
LFP100B140F	415	310	160	6.4	N/A	N/A	N/A	10500	100	105	4000	>80	N/A	IP65	IK08	650	7021	-20 to +40	50,000	40	70	10	110-277V	50hz	N/A	5
LFP160B140F	468	332	170	7.2	N/A	N/A	N/A	16000	155	105	4000	>80	N/A	IP65	IK08	650	7021	-20 to +40	50,000	40	70	10	110-277V	50hz	N/A	5

LFP50B140F

LUMINAIRE PERFORMANCE

Light Output Ratio: 100%
 Luminaire Efficacy: 103.17 lm/W
 Light Distribution: A40 ↓98.9% ↑1.1%
 CIE Flux Codes: 52 91 100 99 100

LFP100B140F

LUMINAIRE PERFORMANCE

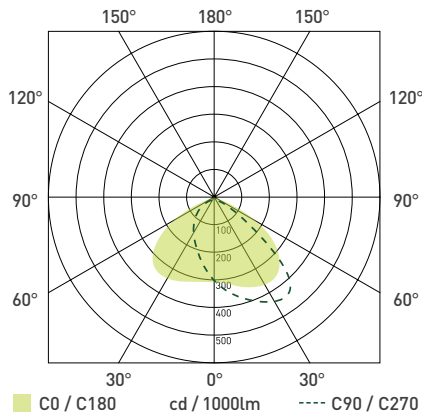
Light Output Ratio: 100%
 Luminaire Efficacy: 103.32 lm/W
 Light Distribution: A40 ↓98.9% ↑1.1%
 CIE Flux Codes: 53 91 100 99 100

LFP160B140F

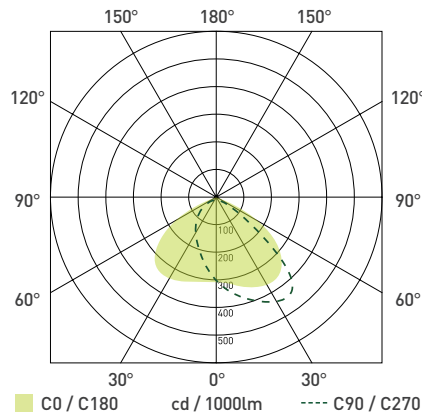
LUMINAIRE PERFORMANCE

Light Output Ratio: 100%
 Luminaire Efficacy: 105.63 lm/W
 Light Distribution: A40 ↓98.9% ↑1.1%
 CIE Flux Codes: 52 91 100 99 100

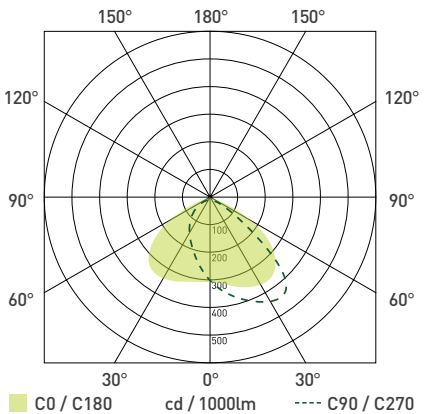
LUMINOUS INTENSITY



LUMINOUS INTENSITY



LUMINOUS INTENSITY



LUCECO

This luminaire contains built-in LED lamps.

A++
A+
A
B
C
D
E

}

LED

The lamps cannot be changed in the luminaire.

874/2012

STANDARDS

EN 60598-1	Luminaires - General requirements
EN 60598-2-5	Luminaires - Floodlights
EN 61347-1	Lamp controlgear - Part 1: General and safety requirements
EN 61347-2-13	Lamp controlgear - Part 2-13 : Particular requirements for d.c. or a.c. supplied electronic controlgear for LED modules
EN 55015	Limits and methods of measurement of radio disturbance characteristics of electrical lighting and similar equipment
EN 61547	Equipment for general lighting purposes - EMC immunity requirements
EN 61000-3-2	Electromagnetic compatibility (EMC) - Part 3-2: Limits - for harmonic current emissions
EN 62471	Photobiological safety of lamps and lamp systems
2002/96/EC	Waste Electrical & Electronic Equipment (WEEE)
2011/65/EU	Restriction of the use of certain Hazardous Substances in EEE (RoHS)
(EC) No 1907/2006	The Registration, Evaluation, Authorisation and Restriction of Chemicals (REACH)