

NO WIRING REQUIRED
ZERO ELECTRICITY COST

SOLAR GUARDIAN WALL LANTERN

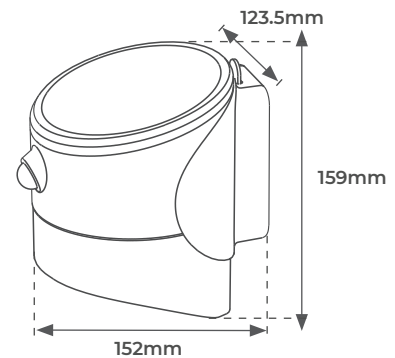
Product Features

- Exterior wall lantern with solar power technology
- Polycarbonate body for increased durability
- Product illuminates only when required with PIR/ photocell
- Perfect for external residential applications with no mains power, no wiring required



CAT NO.	COLOUR	LUMINAIRE LUMENS
LEXSL20B40	Black	200
LEXSL20G40	Grey	200

Product Drawing



CAT NO.	WEIGHT (kg)	WATTAGE	CRI	IK RATING	BATTERY TYPE	BATTERY CAPACITY	TEMP RANGE (°C)	AMBIENT TEMP RATED LIFE (°C)
LEXSL20B40	0.37	2	>80	IK06	Li-Ion 3.7V	1200mAh	0 - +25	25
LEXSL20G40	0.37	2	>80	IK06	Li-Ion 3.7V	1200mAh	0 - +25	25

STANDARD	DESCRIPTION
EN 60598-1	Luminaires – General requirements
EN 60598-2-1	Luminaires – Fixed general purpose
EN 61000-3-2	Electromagnetic compatibility (EMC) – Part 3-2: Limits - for harmonic current emissions
EN 61000-3-3	Limits - Limitation of voltage changes, voltage fluctuations and flicker in public low-voltage supply systems, for equipment with rated current ≤ 16 A per phase and not subject to conditional connection
EN 61547	Equipment for general lighting purposes – EMC immunity requirements
EN 55015	Limits and methods of measurement of radio disturbance characteristics of electrical lighting and similar equipment

LUCECO

This luminaire contains built-in LED lamps.

A++
A+
A
B
C
D
E

} LED

X

The lamps cannot be changed in the luminaire.

874/2012

