

SOLAR GUARDIAN FLOODLIGHTS

NO WIRING REQUIRED
ZERO ELECTRICITY COST

Product Features

- Exterior floodlight with solar power technology, polycarbonate body for increased durability
- Equivalent performance to mains powered halogen or LED floodlights
- PIR / Photocell with security and presence detection mode settings
- Perfect for external residential applications with no mains power, no wiring required

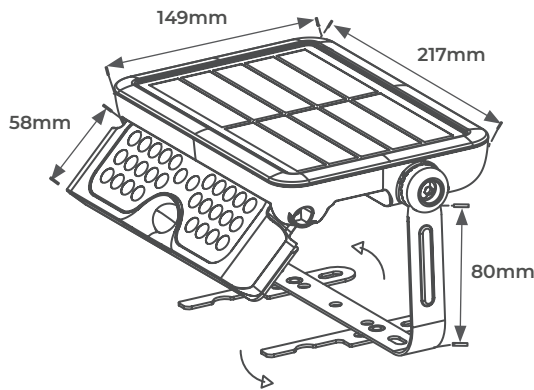


IP65 Rating	4000K NEUTRAL WHITE	BLACK FINISH	2 YEAR Warranty
-----------------------	----------------------------------	------------------------	------------------------------

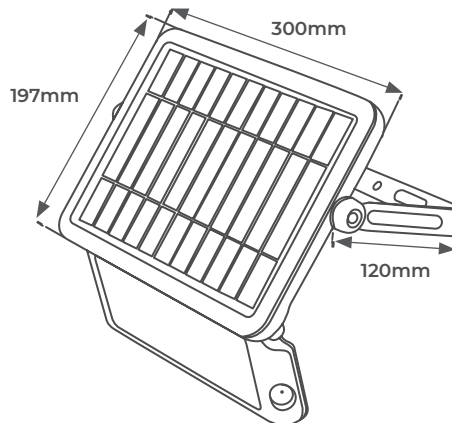
CAT NO.	BODY SIZE	LUMINAIRE LUMENS
LEXSF6B40	Small	550
LEXSFT1B40	Large	1080

Product Drawing

LEXSF6B40



LEXSFT1B40



CAT NO.	WEIGHT (kg)	WATTAGE	CRI	IK RATING	BATTERY TYPE	BATTERY CAPACITY	TEMP RANGE (°C)	AMBIENT TEMP RATED LIFE (°C)
LEXSF6B40	0.625	5	>80	IK06	Li-Ion 3.7V	3000mAh	0 - +25	25
LEXSFT1B40	1.37	10	>80	IK06	Li-Ion 3.7V	7200mAh	0 - +25	25

STANDARD	DESCRIPTION
EN 60598-1	Luminaire – General requirements
EN 60598-2-1	Luminaire – Fixed general purpose
EN 61000-3-2	Electromagnetic compatibility (EMC) – Part 3-2: Limits - for harmonic current emissions
EN 61000-3-3	Limits - Limitation of voltage changes, voltage fluctuations and flicker in public low-voltage supply systems, for equipment with rated current ≤ 16 A per phase and not subject to conditional connection
EN 61547	Equipment for general lighting purposes – EMC immunity requirements
EN 55015	Limits and methods of measurement of radio disturbance characteristics of electrical lighting and similar equipment

