

LED LANTERN

Product Features

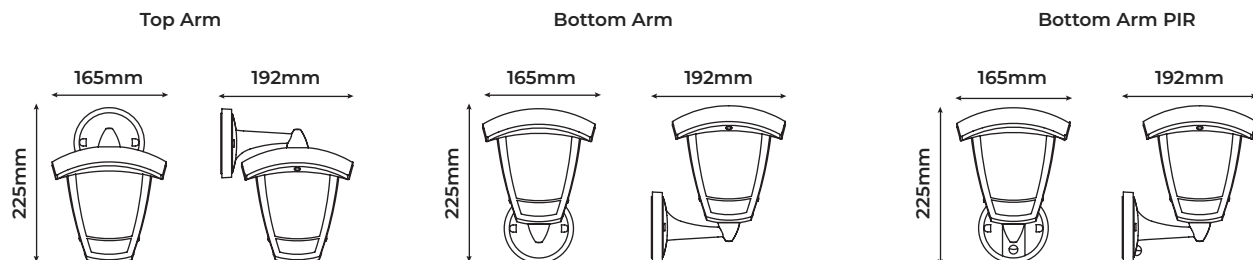
- Coach lantern with integrated LED technology
- Top and bottom arm options
- Plastic housing with four polycarbonate panels



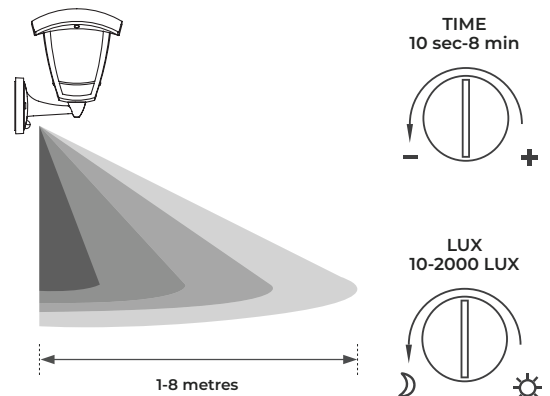
IP44 Rating	20K Hours	4000K NEUTRAL WHITE	220-240 Volt	BLACK FINISH	2 YEAR Warranty
-----------------------	---------------------	----------------------------------	------------------------	------------------------	------------------------------

CAT NO.	TYPE	LUMINAIRE LUMENS	WATTAGE
LEXCL4T6B4	Top Arm	640	8W
LEXCL4B6B4	Bottom Arm	640	8W
LEXCL4B6B4P	Bottom Arm PIR	640	8W

Product Drawing



PIR Function



CAT NO.	WEIGHT (kg)	EFFICACY (Lm/cW)	CRI	FREQUENCY (Hz)	IK RATING	TEMP RANGE (°C)	AMBIENT TEMP RATED LIFE (°C)	L/B RATED LIFE
LEXCL4T6B4	0.4	80	>80	50-60	IK04	0 to +25	25	L70 / B50
LEXCL4B6B4	0.4	80	>80	50-60	IK04	0 to +25	25	L70 / B50
LEXCL4B6B4P	0.46	80	>80	50-60	IK04	0 to +25	25	L70 / B50

STANDARD	DESCRIPTION
EN 60598-1	Luminaires – General requirements
EN 60598-2-1	Luminaires – Fixed general purpose
EN 61000-3-2	Electromagnetic compatibility (EMC) – Part 3-2: Limits - for harmonic current emissions
EN 61000-3-3	Limits - Limitation of voltage changes, voltage fluctuations and flicker in public low-voltage supply systems, for equipment with rated current ≤ 16 A per phase and not subject to conditional connection
EN 61547	Equipment for general lighting purposes – EMC immunity requirements
EN 55015	Limits and methods of measurement of radio disturbance characteristics of electrical lighting and similar equipment

LUCECO

This luminaire contains built-in LED lamps.

The lamps cannot be changed in the luminaire.

874/2012

