

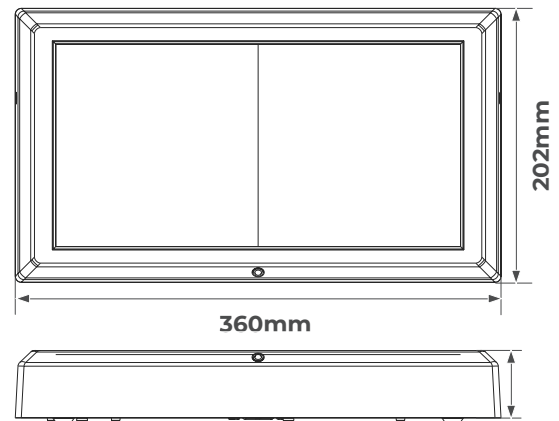
TEMPUS EXIT BOX

Product Features

- Wall mounted maintained illuminated exit box
- Steel mounting plate with polycarbonate frame
- Side and rear cable entry points



Product Drawing



CAT NO.	DESCRIPTION	LEGEND DIRECTION
LEMEBXM3	Maintained	Up
LEMEBXEST	Self-Test	Up
LEMEBXDA	DALI	Up
LEMEBXDM3	Maintained	Down
LEMEBXDEST	Self-Test	Down
LEMEBXDEDA	DALI	Down
LEMEBXM3	Maintained	Left
LEMEBXLEST	Self-Test	Left
LEMEBXLEDA	DALI	Left
LEMEBXR3M3	Maintained	Right
LEMEBXR3EST	Self-Test	Right
LEMEBXR3EDA	DALI	Right

CAT NO.	WEIGHT (kg)	CRI	FREQUENCY (Hz)	IK RATING	BATTERY TYPE	BATTERY CAPACITY	TEMP RANGE (°C)	AMBIENT TEMP RATED LIFE (°C)
LEMEBXM3	1.2	>80	50-60	IK04	Li-ion 3.7V	4000mAh	0 to +30	25
LEMEBXDM3	1.2	>80	50-60	IK04	Li-ion 3.7V	4000mAh	0 to +30	25
LEMEBXM3	1.2	>80	50-60	IK04	Li-ion 3.7V	4000mAh	0 to +30	25
LEMEBXR3M3	1.2	>80	50-60	IK04	Li-ion 3.7V	4000mAh	0 to +30	25

STANDARD	DESCRIPTION
60598-1	Luminaires – General requirements
60598-2-22	Luminaires – Emergency
61000-3-2	Electromagnetic compatibility (EMC) - Part 3-2: Limits – for harmonic current emissions
61000-3-3	Lamp controlgear – Part 1: General and safety requirements
61547	Equipment for general lighting purposes – EMC immunity requirements
55015	Limits and methods of measurement of radio disturbance characteristics of electrical lighting and similar equipment

LUCECO

This luminaire contains built-in LED lamps.

A++
A+
A
B
C
D
E

} LED

The lamps cannot be changed in the luminaire.

874/2012

