

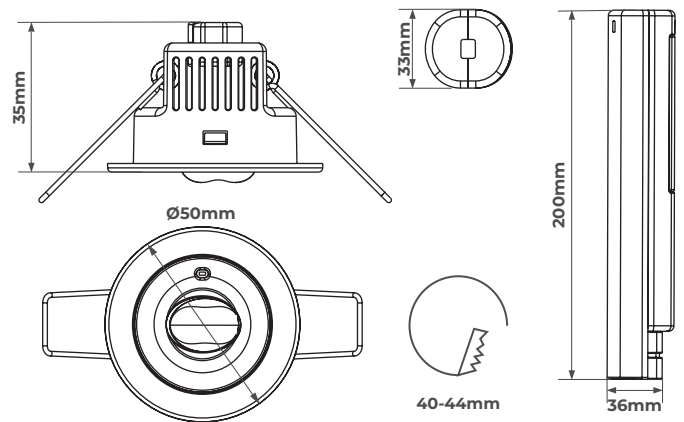
TEMPUS RECESSED EMERGENCY DOWNLIGHT

Product Features

- Discreet non-maintained emergency downlight
- Recessed mount luminaire suitable for plasterboard or suspended ceiling systems
- Open area or corridor optic options to suit all applications



Product Drawing



CAT NO.	OPTIC	LUMINAIRE LUMENS	WATTAGE
LEMDWO	Open area	120	1W
LEMDWC	Corridor	120	1W

LEMDWO Spacings

	HEIGHT	DISTANCE FROM WALL	SPACING
LEMDWO			
OPEN AREA - 0.5 Lux	2.5	5.4	9.6
	3	5	11.2
	4	1.5	11.8

LEMDWC Spacings

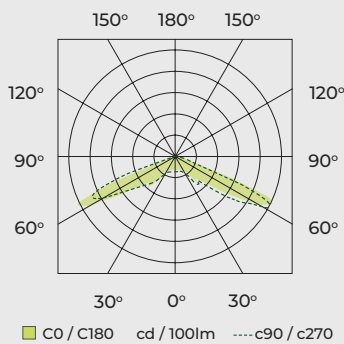
	HEIGHT	DISTANCE FROM WALL	SPACING
LEMDWC			
ESCAPE ROUTE - 1 LUX (BASED ON A 2M WIDTH)	2.5	5	17
	3	5.2	17.5
	4	3.5	13

CAT NO.	WEIGHT (kg)	CRI	FREQUENCY (Hz)	IK RATING	BATTERY TYPE	BATTERY CAPACITY	TEMP RANGE (°C)	AMBIENT TEMP RATED LIFE (°C)
LEMDWO	0.12	>70	50-60	IK04	Li-Ion 3.7V	2200mAh	0- +25	25
LEMDWC	0.12	>70	50-60	IK04	Li-Ion 3.7V	2200mAh	0- +25	25

LEMDWO Luminaire Performance

Light Output Ratio: 100%
 Luminaire Efficacy: 100 lm/W
 Light Distribution: A20+98.8%+1.2%
 CIE Flux Codes: 16 57 99 99 100
 UGR 4H 8H
 (20%, 50%, 70%) C0 / C90: 39.1 / 39.2

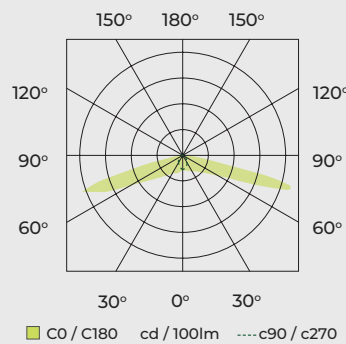
Luminous Intensity



LEMDWC Luminaire Performance

Light Output Ratio: 100%
 Luminaire Efficacy: 100lm/W
 Light Distribution: A20+98.4%+1.6%
 CIE Flux Codes: 34 64 96 98 100
 UGR 4H 8H
 (20%, 50%, 70%) C0 / C90: 48.2 / 27.9

Luminous Intensity



STANDARD	DESCRIPTION
EN 60598-1	Luminaires – General requirements
EN 60598-2-2	Luminaires – Recessed
EN 60598-2-22	Luminaires – Emergency
EN 61000-3-2	Electromagnetic compatibility (EMC) – Part 3-2: Limits - for harmonic current emissions
EN 61000-3-3	Limits - Limitation of voltage changes, voltage fluctuations and flicker in public low-voltage supply systems, for equipment with rated current ≤ 16 A per phase and not subject to conditional connection
EN 61547	Equipment for general lighting purposes – EMC immunity requirements
EN 55015	Limits and methods of measurement of radio disturbance characteristics of electrical lighting and similar equipment

LUCECO

This luminaire contains built-in LED lamps.

A++
A+
A
B
C
D
E

} LED

The lamps cannot be changed in the luminaire.

874/2012

